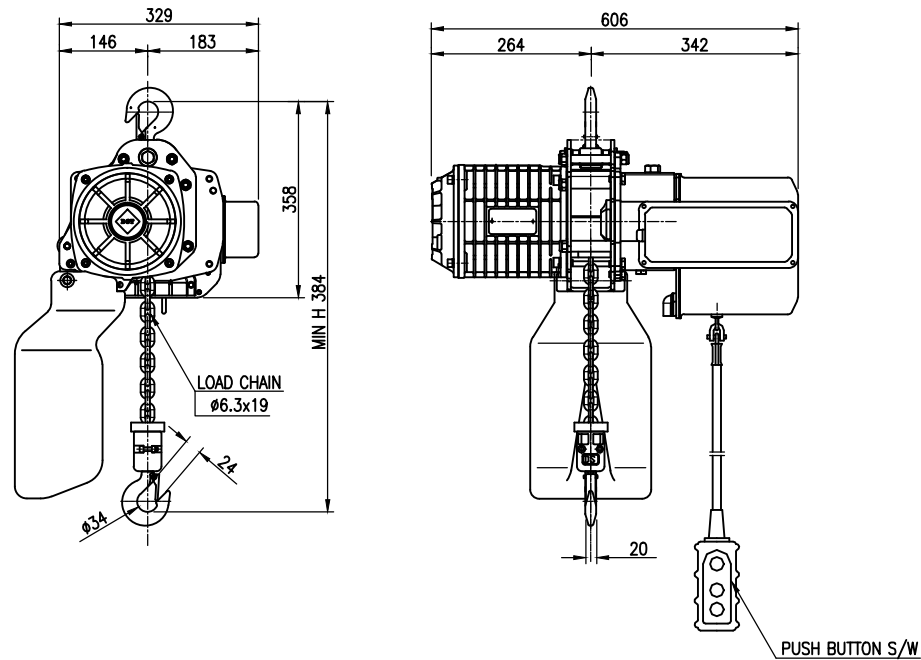


NO	DESCRIPTION	MAT'L	Q'TY	WT(kg)	REMARKS



SPECIFICATION		
HOISTING LOAD	0.5	TON
TESTING LOAD	0.625	TON
LIFTING HEIGHT	4	M
HOISTING	SPEED	2.7-8.2 M/MIN
	MOTOR	0.8 KW x 4P x 1 SET
POWER SUPPLY	AC 220, 380, 440, x 3φ x 50/60 Hz	
OPERATING METHOD	P.B type ON . FL	
WEIGHT	57 KG	

TITLE EDST-0.5T CHAIN HOIST				PROJECTION	
WORK NO		WORK NAME			
				SCALE	Q'TY
				1/1	1
DRAWN	CHECKED	REVIEWED	APPROVED	DRAWING NO	
YOO.M.R	-	LEE. H.J	Y. K	EDSE05S001	
2013.08.30	-				
DAESAN INoTEC INC					

REV.NO	DATE	REVISION DESCRIPTION	DRAWN	CHECKED	APPROVED