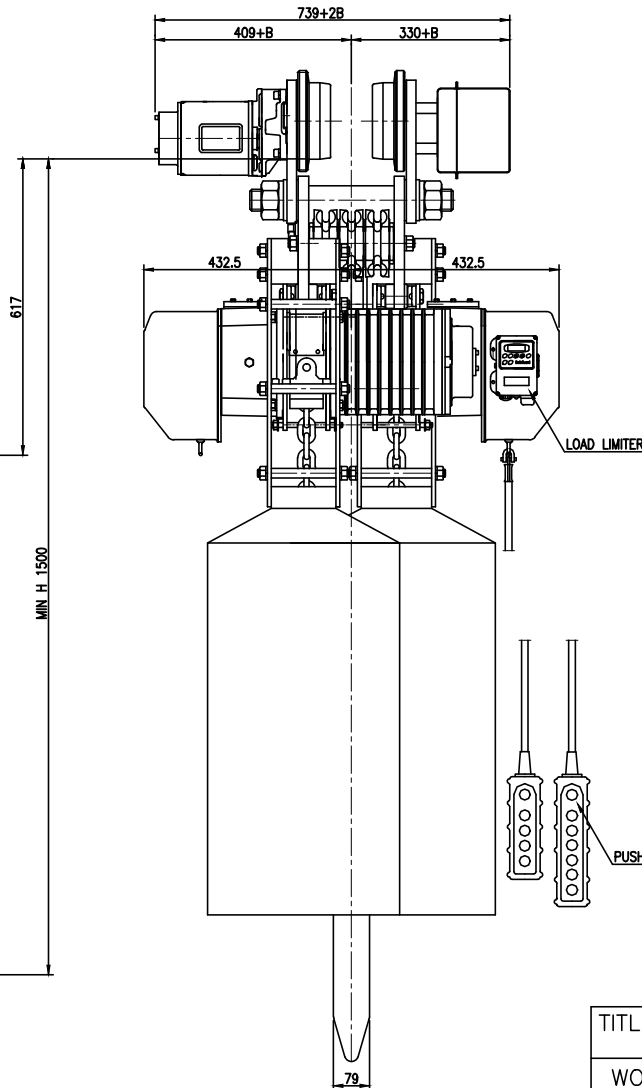
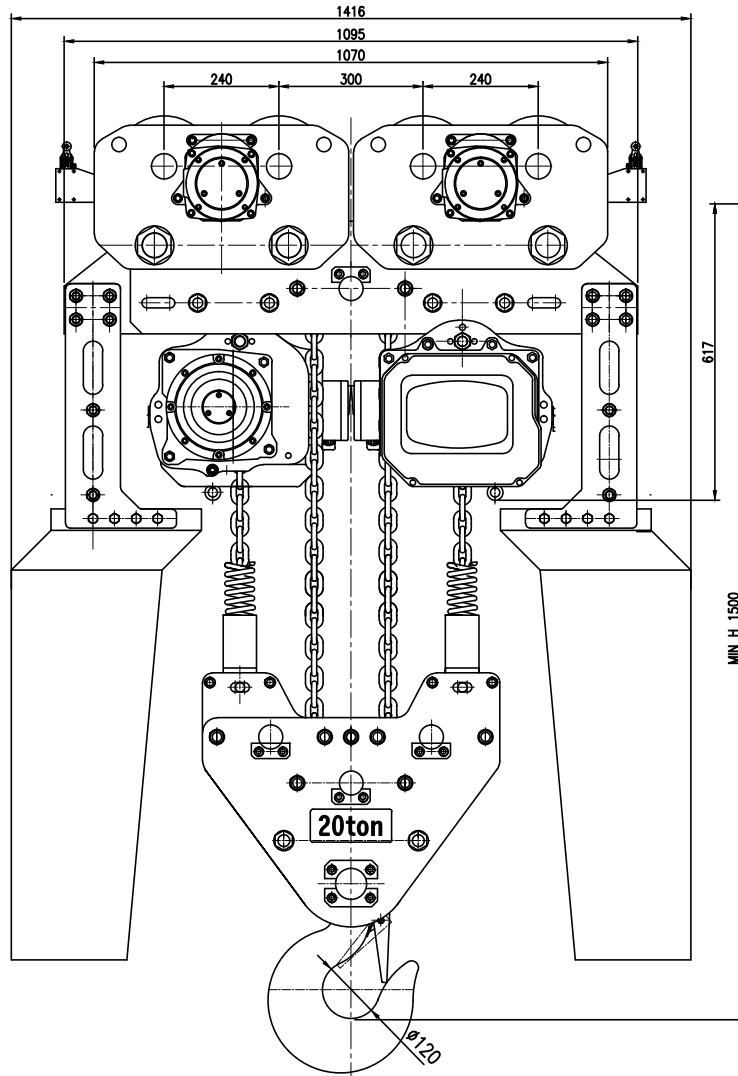


NO	DESCRIPTION	MAT'L	Q'TY	WT(kg)	REMARKS



SPECIFICATION		
HOISTING LOAD	20	TON
TESTING LOAD	25	TON
LIFTING HEIGHT	5	M
HOISTING	SPEED	0.67~1.6 M/MIN
	MOTOR	3.5KW x 4P x2 SET
TRAVERSING	SPEED	3.3~10 M/MIN
	MOTOR	0.75 KW x 6P x 2 SET
POWER SUPPLY	AC 220,380,440,480V x 3 ϕ x 60 Hz	
OPERATING METHOD	P.B type ON . FL	
WEIGHT	1179 KG	
I-BEAM WIDTH	175-190 MM	
MIN. RADIUS OF CURVATURE(M)	∞	

- * β 는 BEAM 변동값임
- * ROLLER DIA : $\phi 160$
- * LIMIT SWITCH : OPTION
- * 본 도면은 1-BEAM 175MM 기준임.

TITLE ED SM-20W CHAIN HOIST				PROJECTION	
WORK NO		WORK NAME			
				SCALE	Q'TY
				1/1	1
DRAWN	CHECKED	REVIEWED	APPROVED	DRAWING NO	
H.J	-	LEE	Y.K	EDSM20W02	
2020.09.14	-	2020.09.14	2020.09.14		
DAESAN INoTEC INC					

도면에 지시되지 않은 일반공차						
가공법	치수	3-6	6-30	30-120	120-315	315-1000
선	삭					
구멍간	거리	± 0.1	± 0.2	± 0.3	± 0.5	± 0.8

REV.NO	DATE	REVISION DESCRIPTION	DRAWN	CHECKED	APPROVED