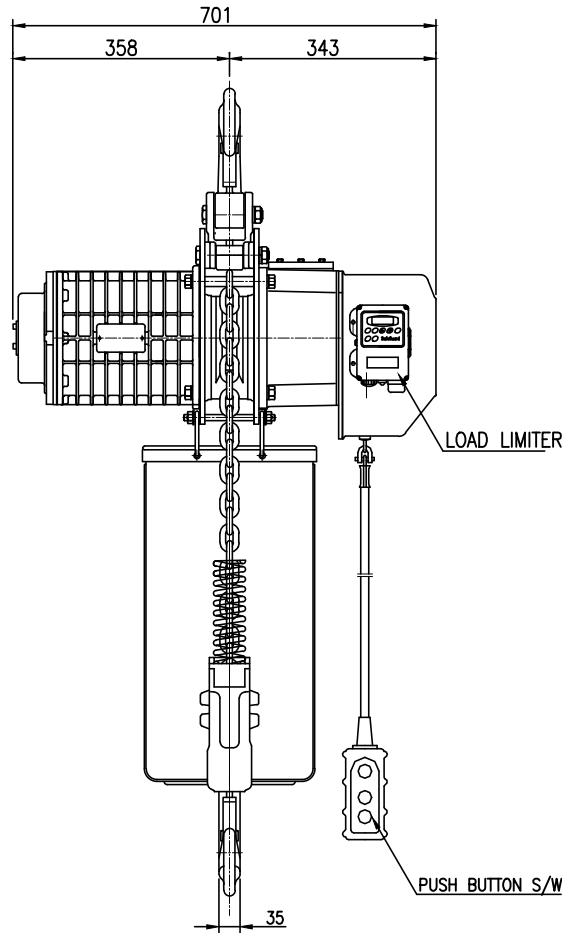
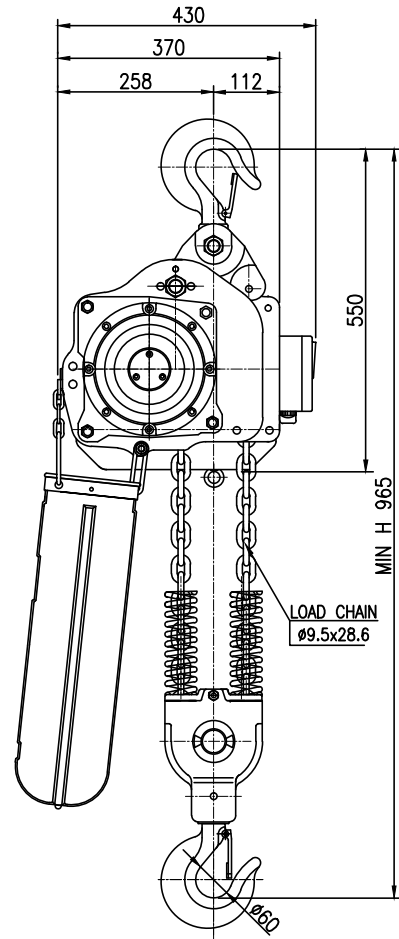


| NO | DESCRIPTION | MAT'L | Q'TY | WT(kg) | REMARKS |
|----|-------------|-------|------|--------|---------|
|    |             |       |      |        |         |



| SPECIFICATION    |                            |                    |       |
|------------------|----------------------------|--------------------|-------|
| HOISTING LOAD    | 2.8                        | TON                |       |
| TESTING LOAD     | 3.5                        | TON                |       |
| LIFTING HEIGHT   | 5                          | M                  |       |
| HOISTING         | SPEED                      | 1.5-4.6            | M/MIN |
|                  | MOTOR                      | 3.5 KW x 4P x1 SET |       |
| POWER SUPPLY     | AC 220,380,440,480x3ø 60HZ |                    |       |
| OPERATING METHOD | P.B type ON . FL           |                    |       |
| WEIGHT           | 149 KG                     |                    |       |

|                             |         |            |            |            |      |
|-----------------------------|---------|------------|------------|------------|------|
| TITLE EDSA-2.8W CHAIN HOIST |         |            |            | PROJECTION |      |
| WORK NO                     |         | WORK NAME  |            |            |      |
|                             |         |            |            | SCALE      | Q'TY |
|                             |         |            |            | 1/1        | 1    |
| DRAWN                       | CHECKED | REVIEWED   | APPROVED   | DRAWING NO |      |
| H.J                         |         | LEE        | Y. K       | EDSA028W01 |      |
| 2020.09.14                  |         | 2020.09.14 | 2020.09.14 |            |      |

| 도면에 지시되지 않은 일반공차 |    |      |      |        |         |          |
|------------------|----|------|------|--------|---------|----------|
| 가공별              | 치수 | 3-6  | 6-30 | 30-120 | 120-315 | 315-1000 |
| 선                | 삭  | ±0.1 | ±0.2 | ±0.3   | ±0.5    | ±0.8     |
| 구멍간              | 거리 | ±0.1 | ±0.2 | ±0.3   | ±0.5    | ±0.8     |

| REV.NO | DATE | REVISION DESCRIPTION | DRAWN | CHECKED | APPROVED |
|--------|------|----------------------|-------|---------|----------|
|        |      |                      |       |         |          |

**DAESAN INoTEC INC**