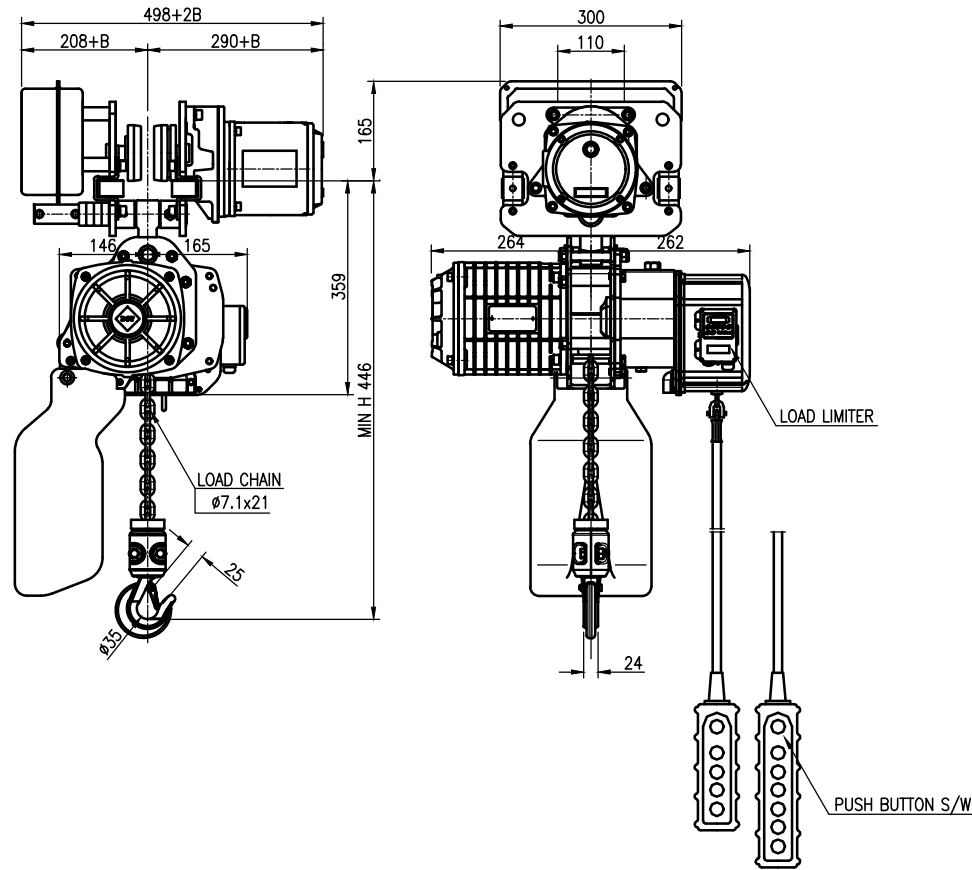


NO	DESCRIPTION	MAT'L	Q'TY	WT(kg)	REMARKS



SPECIFICATION			
HOISTING LOAD	1	TON	
TESTING LOAD	1.25	TON	
LIFTING HEIGHT	4	M	
HOISTING	SPEED	50/60Hz	6.9/8.2 M/MIN
		50/60Hz	4.6/5.5 M/MIN
	MOTOR	1.8/1.2 KW x 4/6P x 1 SET	
TRAVERSING	SPEED	12/15	M/MIN
	MOTOR	0.4 KW x 6P x 1 SET	
POWER SUPPLY	AC 220, 380, 440 x 3 $\phi$ x 50/60 Hz		
OPERATING METHOD	P.B type ON . FL		
WEIGHT	98 KG		
I-BEAM SIZE	75-125		

\* B 는 BEAM폭 변동 치수임.

\* ROLLER DIA :  $\phi 95$

\* LIMIT SWITCH : OPTION

TITLE				PROJECTION	
DSTM-1S CHAIN HOIST					
WORK NO	WORK NAME			SCALE	Q'TY
				1/1	1
DRAWN	CHECKED	REVIEWED	APPROVED	DRAWING NO	
YOO.M.R	-	LEE. H.J	Y.K	DSTM10S001	
2012.07.11	-	2012.07.11	2012.07.11		
<b>DAESAN INoTEC INC</b>					

REV.NO	DATE	REVISION DESCRIPTION	DRAWN	CHECKED	APPROVED