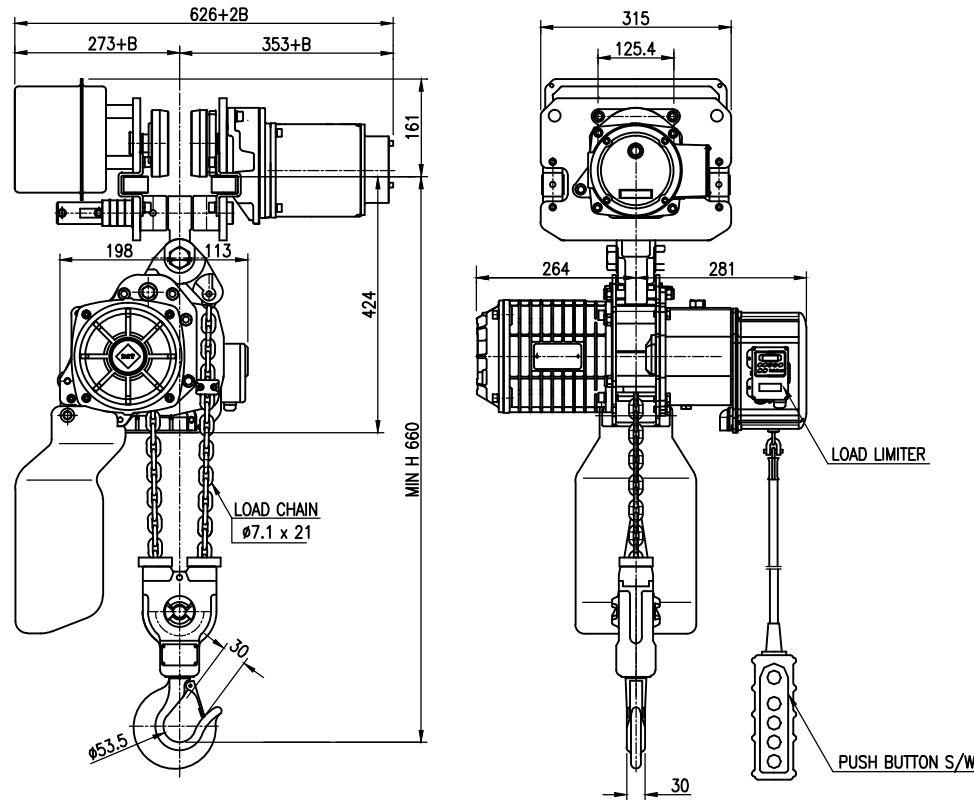


NO	DESCRIPTION	MAT'L	Q'TY	WT(kg)	REMARKS



SPECIFICATION		
HOISTING LOAD	1.9	TON
TESTING LOAD	2.375	TON
LIFTING HEIGHT	4	M
HOISTING	SPEED(50/60Hz)	1.7/2 M/MIN
	MOTOR	0.8KW x 4P x1 SET
TRAVERSING	SPEED(50/60Hz)	9/11 M/MIN
	MOTOR	0.2KW x 8P x1 SET
POWER SUPPLY	AC 220/110 x 1Ø x 50/60 Hz	
OPERATING METHOD	P.B type ON . FL	
WEIGHT	119 KG	
I-BEAM SIZE	100-150	

\* B CALCULATION  $B=1/2 \times (\text{I BEAM WIDTH})$

\* LIMIT SWITCH : OPTION

\* ROLLER DIA : Ø110

TITLE				DSSM-1.9TON CHAIN HOIST		PROJECTION	
WORK NO		WORK NAME					
		SCALE		Q'TY			
		1/1		1			
DRAWN	CHECKED	REVIEWED	APPROVED	DRAWING NO			
YOO.M.R	-	LEE. H.J	Y.K	DSSM190W			
2013.09.02	-	2013.09.02	2013.09.02				

REV.NO	DATE	REVISION DESCRIPTION	DRAWN	CHECKED	APPROVED

**DAESAN INoTEC INC**