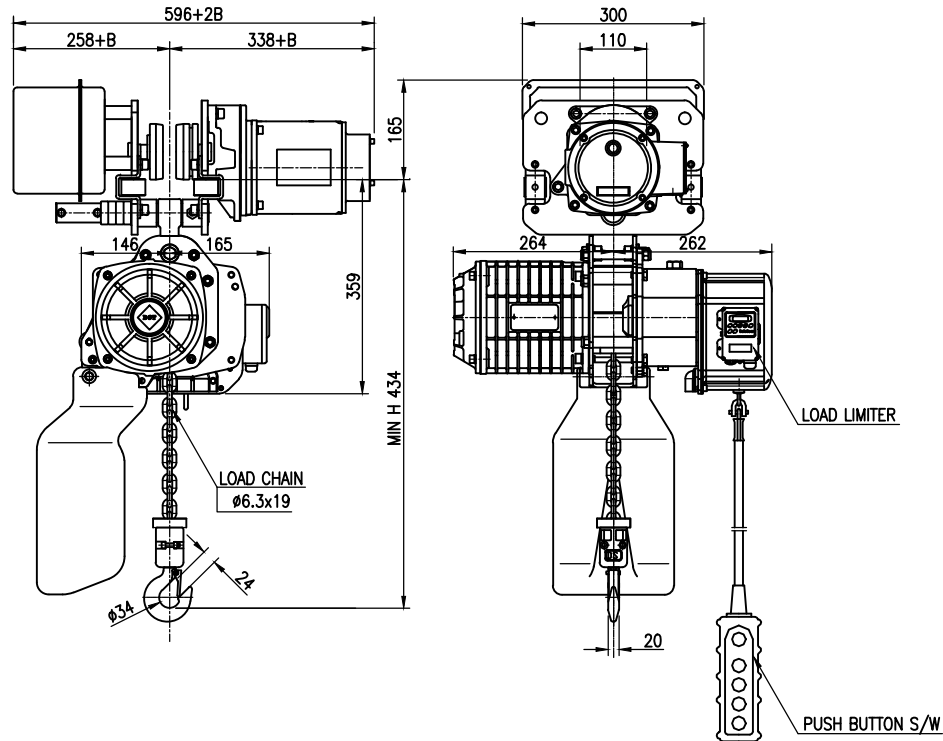


NO	DESCRIPTION	MAT'L	Q'TY	WT(kg)	REMARKS



SPECIFICATION		
HOISTING LOAD	0.5	TON
TESTING LOAD	0.625	TON
LIFTING HEIGHT	4	M
HOISTING	SPEED	6.7/8 M/MIN
	MOTOR	0.8 KW x 4P x1 SET
TRAVERSING	SPEED	9/11 M/MIN
	MOTOR	0.2 KW x 8P x1 SET
POWER SUPPLY	AC 220/110V x 1 $\phi$ x 50/60 Hz	
OPERATING METHOD	P.B type ON . FL	
WEIGHT	95 KG	
I-BEAM SIZE	75-125	

\* B CALCULATION  $B=1/2 \times (I \text{ BEAM WIDTH})$

\* LIMIT SWITCH : OPTION

\* ROLLER DIA :  $\phi 95$

TITLE DSSM-0.5S CHAIN HOIST				PROJECTION	
WORK NO	WORK NAME				
				SCALE	Q'TY
				1/1	1
DRAWN	CHECKED	REVIEWED	APPROVED	DRAWING NO	
YOO.M.R	-	LEE. H.J	Y. K	DSSM050S1	
2012.07.11	-	2012.07.11	2012.07.11		

**DAESAN INoTEC INC**

REV.NO	DATE	REVISION DESCRIPTION	DRAWN	CHECKED	APPROVED