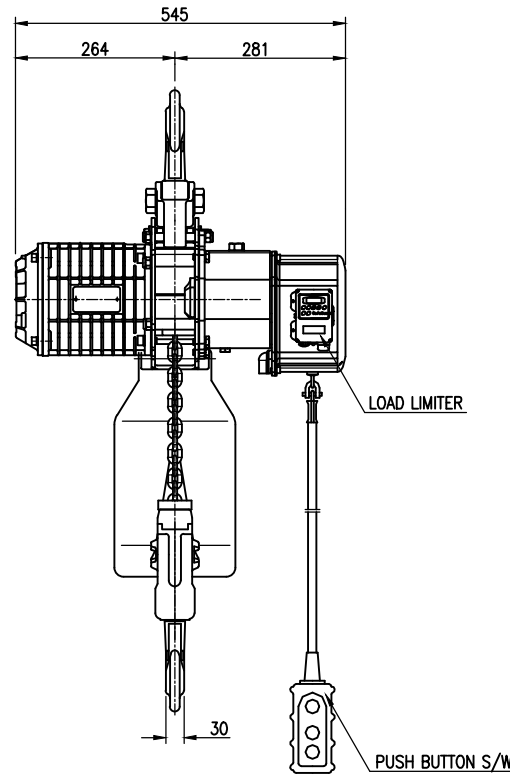
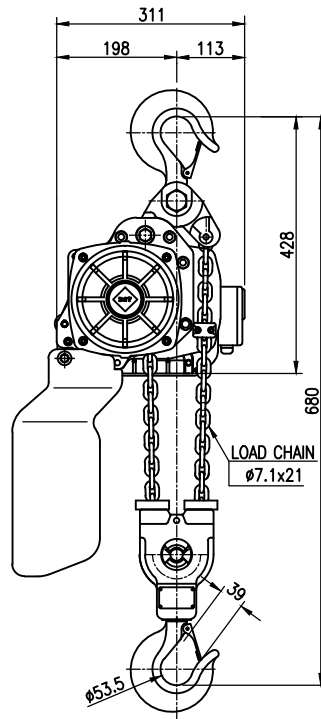


NO	DESCRIPTION	MAT'L	Q'TY	WT(kg)	REMARKS



SPECIFICATION		
HOISTING LOAD	1.9	TON
TESTING LOAD	2.375	TON
LIFTING HEIGHT	4	M
HOISTING	SPEED	1.7/2.0 M/MIN
	MOTOR	0.8 KW x 4P x 1 SET
POWER SUPPLY	AC 220/110 x 1φ x 50/60 Hz	
OPERATING METHOD	P.B type ON . FL	
WEIGHT	73 KG	

TITLE DSS-1.9TON CHAIN HOIST				PROJECTION	
WORK NO		WORK NAME			
				SCALE	Q'TY
				1/1	1
DRAWN	CHECKED	REVIEWED	APPROVED	DRAWING NO	
YOO.M.R	-	LEE. H.J	Y.K	DST019W001	
2013.09.02	-	2013.09.02	2013.09.02		

REV.NO	DATE	REVISION DESCRIPTION	DRAWN	CHECKED	APPROVED

DAESAN INoTEC INC