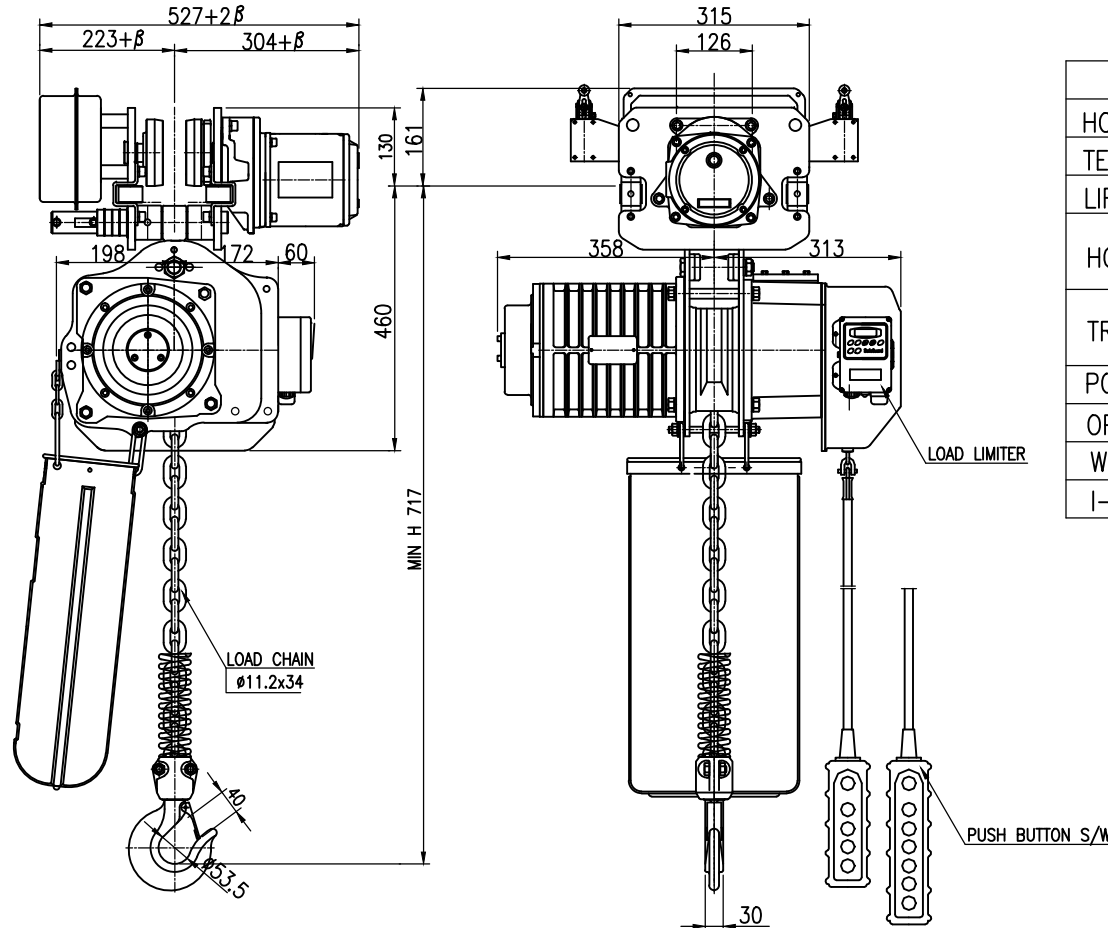


| NO | DESCRIPTION | MAT'L | Q'TY | WT(kg) | REMARKS |
|----|-------------|-------|------|--------|---------|
| | | | | | |



| SPECIFICATION | | | |
|------------------|------------------------------|--------------------------|---------------|
| HOISTING LOAD | 1.9 | TON | |
| TESTING LOAD | 2.375 | TON | |
| LIFTING HEIGHT | 4 | M | |
| HOISTING | SPEED | 50/60Hz | 6.7/8.1 M/MIN |
| | MOTOR | 3.5/2.3 KW x 4/6P x1 SET | |
| TRAVERSING | SPEED | 50/60Hz | 12/15 M/MIN |
| | MOTOR | 0.4 KW x 6P x 1 SET | |
| POWER SUPPLY | AC 220,380,440. x 3φ x 60 Hz | | |
| OPERATING METHOD | P.B type ON . FL | | |
| WEIGHT | 169 KG | | |
| I-BEAM SIZE | 100-150 MM | | |

NOTE

- * β는 BEAM 변동 치수임.
- * ROLLER DIA : φ110
- * LIMIT SWITCH : OPTION
- * 본 도면은 I-BEAM 100MM 기준임.

| TITLE DSM-1.9S CHAIN HOIST | | | | PROJECTION | |
|----------------------------|-----------|------------|------------|------------|------|
| WORK NO | WORK NAME | | | | |
| | | | | SCALE | Q'TY |
| | | | | 1/1 | 1 |
| DRAWN | CHECKED | REVIEWED | APPROVED | DRAWING NO | |
| YOO.M.R | - | LEE. H.J | Y. K | DSM19S001 | |
| 2012.06.13 | - | 2012.06.21 | 2012.10.31 | | |

| 도면에 지시되지 않은 일반공차 | | | | | | |
|------------------|----|------|------|--------|---------|----------|
| 가공별 | 치수 | 3-6 | 6-30 | 30-120 | 120-315 | 315-1000 |
| 선 | 삭 | | | | | |
| 구멍간 | 거리 | ±0.1 | ±0.2 | ±0.3 | ±0.5 | ±0.8 |

| REV.NO | DATE | REVISION DESCRIPTION | DRAWN | CHECKED | APPROVED |
|--------|------|----------------------|-------|---------|----------|
| | | | | | |

DAESAN INoTEC INC