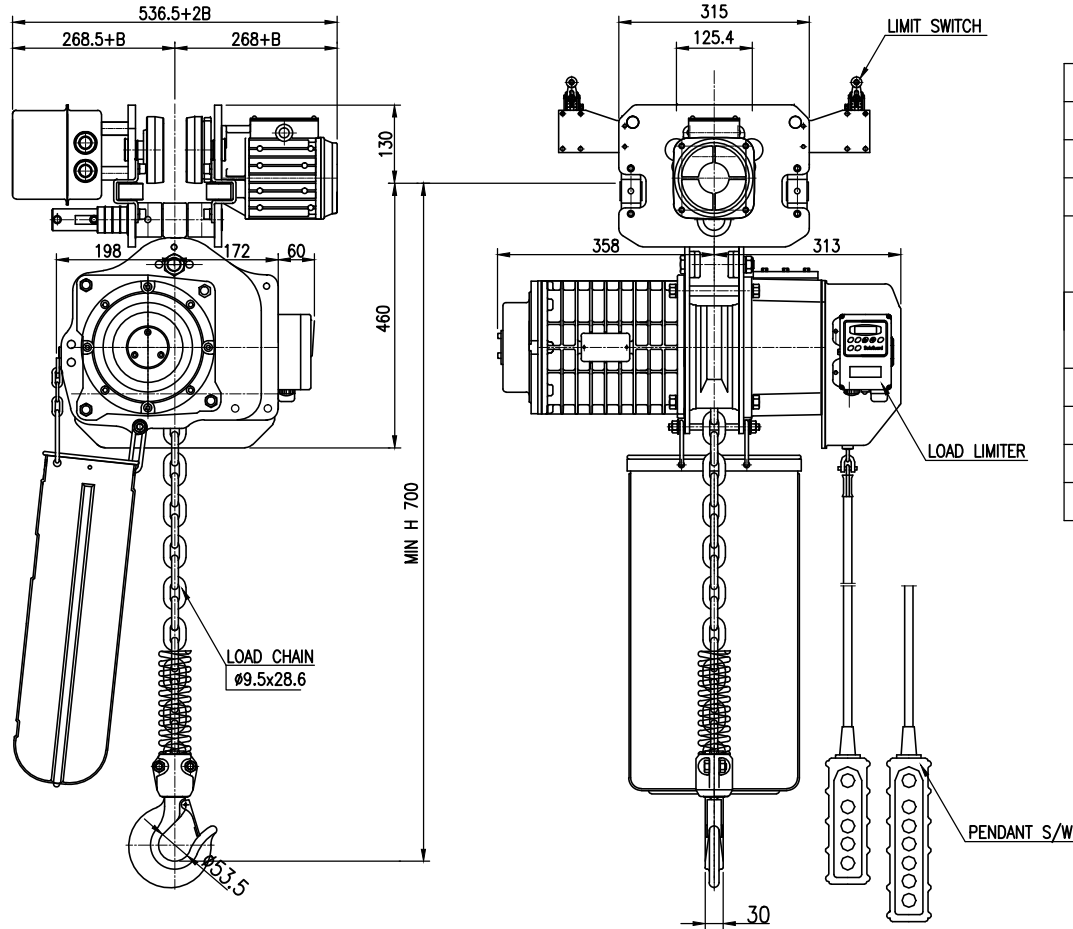


NO	DESCRIPTION	MAT'L	Q'TY	WT(kg)	REMARKS



SPECIFICATION			
HOISTING LOAD	1.5	TON	
TESTING LOAD	1.875	TON	
LIFTING HEIGHT	4	M	
HOISTING	SPEED	50/60Hz	8.6/10.3M/MIN
	MOTOR	3.5KW x 4P x 1 SET	
TRAVERSING	SPEED	50/60Hz	12/15 M/MIN
	MOTOR	0.4 KW x 6P x 1 SET	
POWER SUPPLY	AC 220, 380, 440 x 3ø x 60 Hz		
OPERATING METHOD	P.B type ON . FL		
WEIGHT	162 KG		
I-BEAM SIZE	100-150 MM		

NOTE

- * B 는 BEAM 변동 치수임.
- * ROLLER DIA : ø110
- * LIMIT SWITCH : OPTION
- * 본 도면은 I-BEAM 100MM 기준임.

TITLE DSM-1.5S CHAIN HOIST		PROJECTION	
WORK NO	WORK NAME		
		SCALE	Q'TY
		1/1	1

도면에 지시되지 않은 일반공차						
가공법	치수	3-6	6-30	30-120	120-315	315-1000
선	삭	±0.1	±0.2	±0.3	±0.5	±0.8
구멍간	거리	±0.1	±0.2	±0.3	±0.5	±0.8

DRAWN	CHECKED	REVIEWED	APPROVED	CODE NO
H.J	-	LEE. H.J	Y. K	DSM15S001
2021.02.24	-	2021.02.24	2021.02.24	

REV.NO	DATE	REVISION DESCRIPTION	DRAWN	CHECKED	APPROVED

DAESAN INoTEC INC