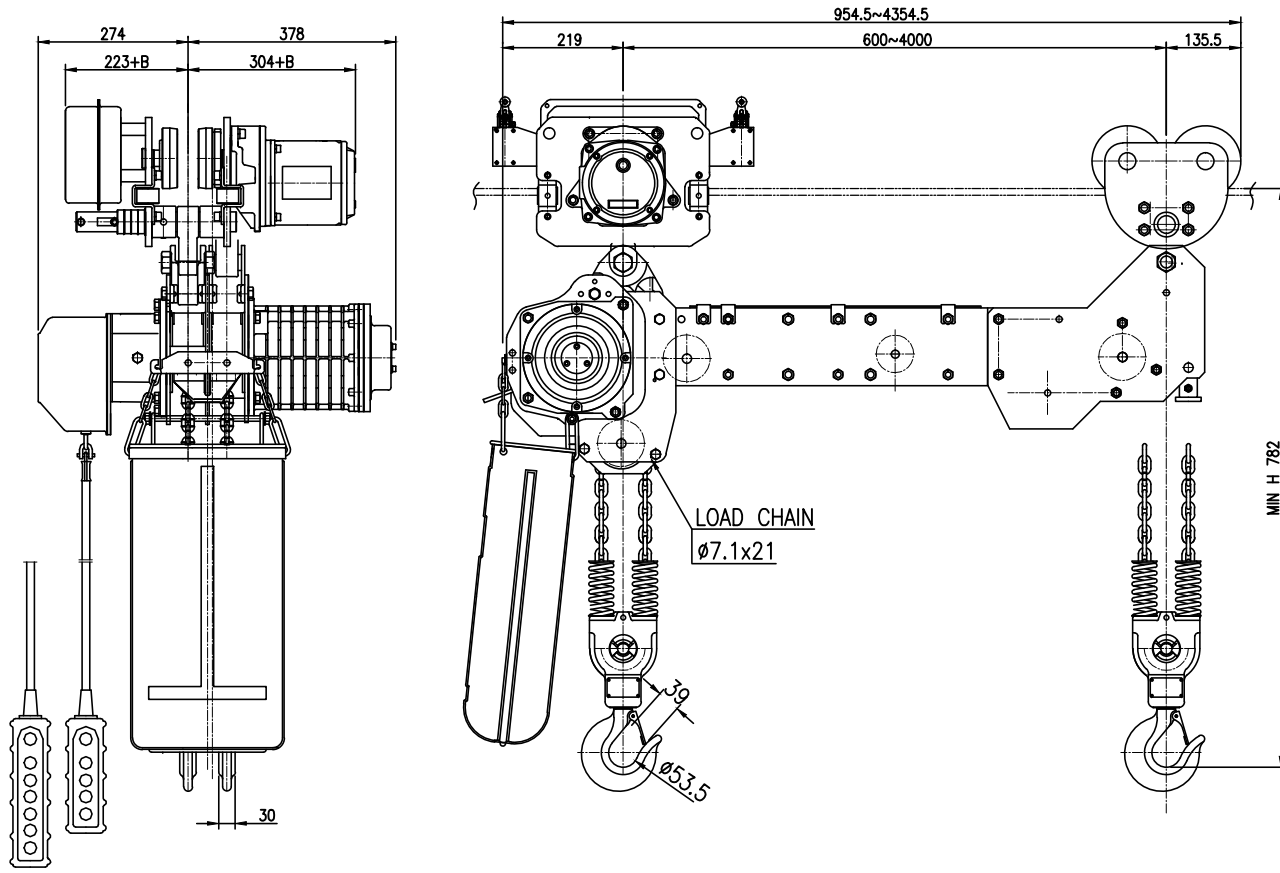


NO	DESCRIPTION	MAT'L	Q'TY	WT(kg)	REMARKS



SPECIFICATION		
HOISTING LOAD	2	TON
TESTING LOAD	2.5	TON
LIFTING HEIGHT	4	M
HOISTING	SPEED	3.4/4.1 M/MIN
	MOTOR	1.8 KW x 4P x 1 SET
TRAVERSING	SPEED	15/21 M/MIN
	MOTOR	0.4 KW x 6/4P x 1 SET
POWER SUPPLY	AC 220,380,440,480 x 3φ x 50/60 Hz	
OPERATING METHOD	P.B type ON . FL	
I-BEAM SIZE	100-150 MM	

NOTE

- \* B는 BEAM 변동 치수임.
- \* ROLLER DIA :  $\phi 110$
- \* LIMIT SWITCH : OPTION
- \* 본 도면은 I-BEAM 100MM 기준임.

TITLE DSDHM-2W CHAIN HOIST				PROJECTION	
WORK NO		WORK NAME			
				SCALE	Q'TY
				1/1	1
DRAWN	CHECKED	REVIEWED	APPROVED	DRAWING NO	
H.J	-	LEE	Y. K	DSDHM02W01	
2020.09.15	-	2020.09.15	2020.09.15		
<b>DAESAN INoTEC INC</b>					

도면에 지시되지 않은 일반공차						
가공별	치수	3-6	6-30	30-120	120-315	315-1000
선	삭	$\pm 0.1$	$\pm 0.2$	$\pm 0.3$	$\pm 0.5$	$\pm 0.8$
구멍간	거리	$\pm 0.1$	$\pm 0.2$	$\pm 0.3$	$\pm 0.5$	$\pm 0.8$

REV.NO	DATE	REVISION DESCRIPTION	DRAWN	CHECKED	APPROVED