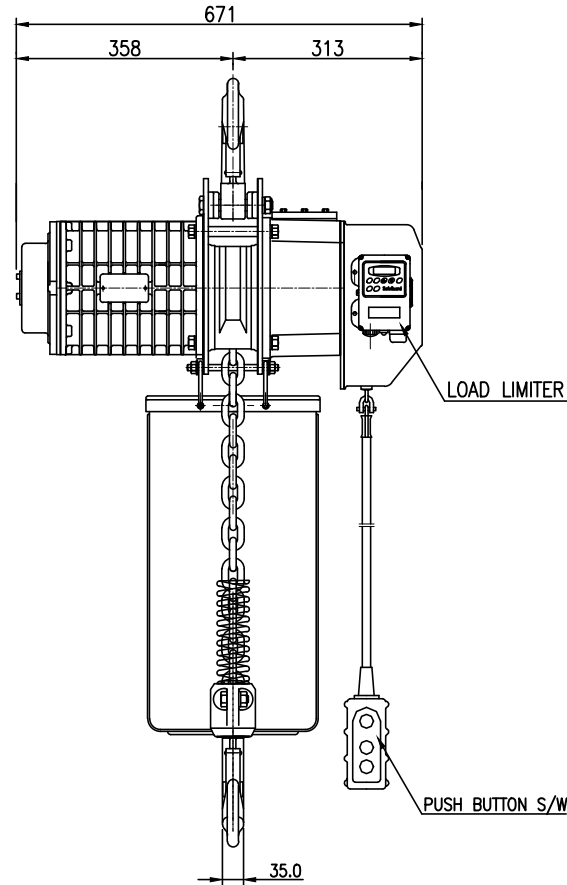
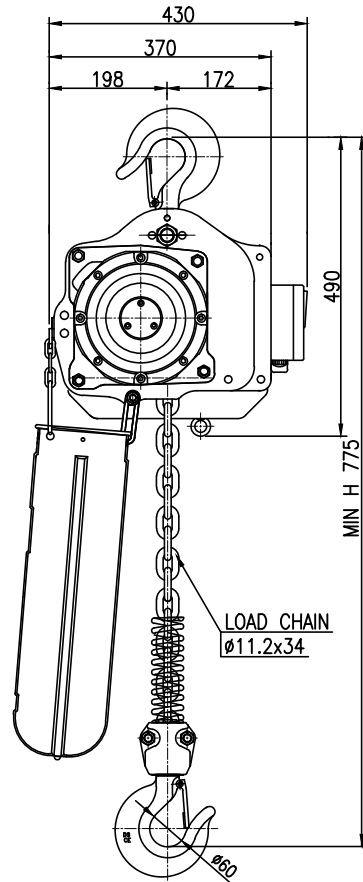


NO	DESCRIPTION	MAT'L	Q'TY	WT(kg)	REMARKS



SPECIFICATION			
HOISTING LOAD	2.5 TON		
TESTING LOAD	3.125 TON		
LIFTING HEIGHT	5 M		
HOISTING	SPEED	50/60Hz	5.4/6.5 M/MIN
	MOTOR	3.5 KW x 4P x 1 SET	
POWER SUPPLY	AC 220,380,440.x3ø x 60 Hz		
OPERATING METHOD	P.B type ON . FL		
WEIGHT	127		

TITLE DSA-2.5S CHAIN HOIST				PROJECTION	
WORK NO		WORK NAME			
				SCALE	Q'TY
				1/1	1
DRAWN	CHECKED	REVIEWED	APPROVED	DRAWING NO	
H.J		LEE	Y. K	DSA025S001	
2020.09.14		2020.09.14	2020.09.14		

도면에 지시되지 않은 일반공차						
가공별	치수	3-6	6-30	30-120	120-315	315-1000
선	삭					
구멍간	거리	±0.1	±0.2	±0.3	±0.5	±0.8

REV.NO	DATE	REVISION DESCRIPTION	DRAWN	CHECKED	APPROVED

**DAESAN INoTEC INC**