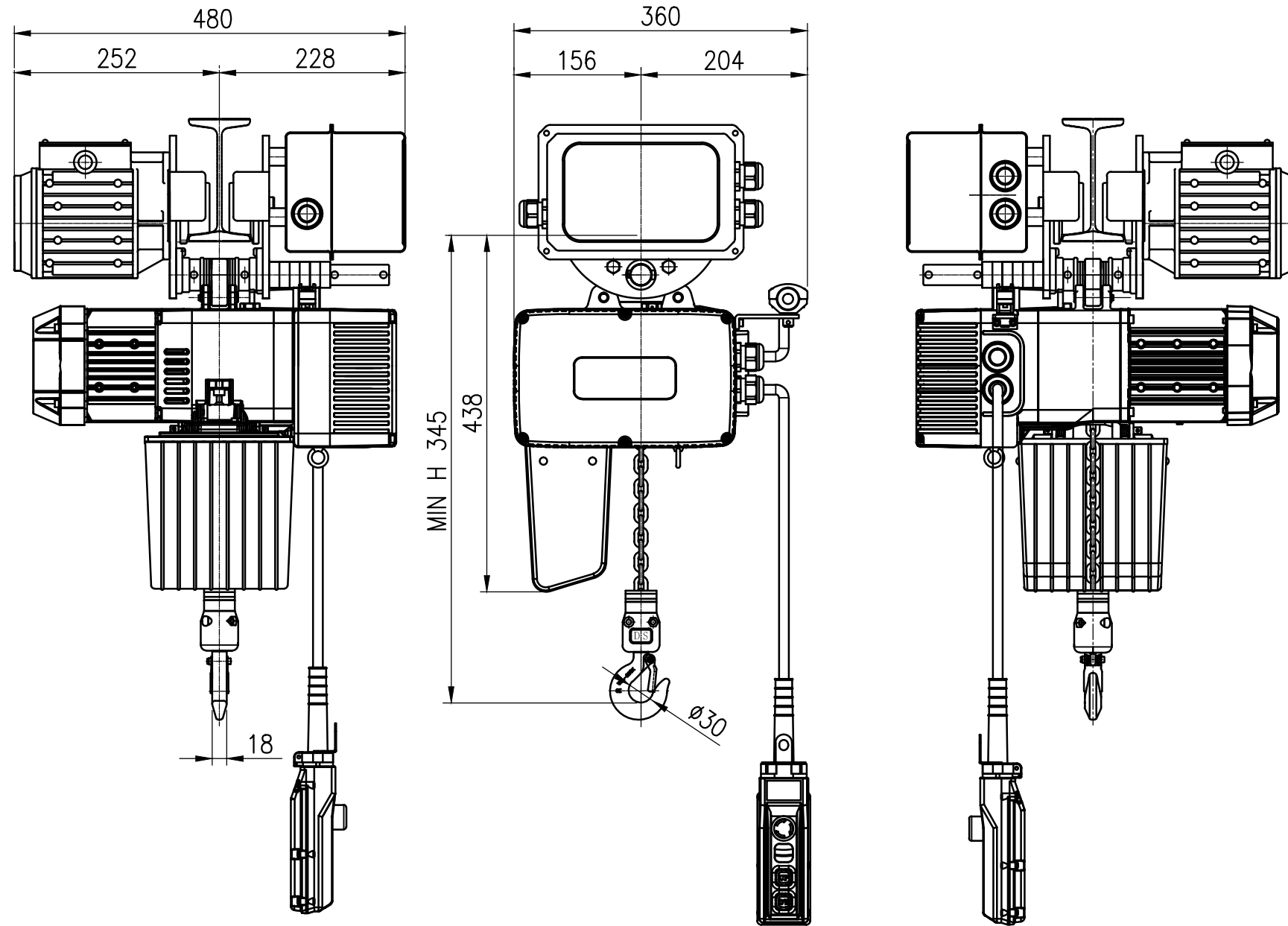


NO	DESCRIPTION	MAT'L	Q'TY	WT(kg)	REMARKS



SPECIFICATION		
HOISTING LOAD	125 KG	
TESTING LOAD	156 KG	
LIFTING HEIGHT	4 M	
HOISTING	SPEED	17 M/MIN
		10 M/MIN
TRAVERSING	MOTOR	0.75 KW x 4P x 1 SET
	SPEED	20.7 M/MIN
POWER SUPPLY	MOTOR	0.4 KW x 4P x 1 SET
		AC 220/380, 440, 480V x 3φ x 60Hz
OPERATING METHOD	AC 220 x 1φ x 60Hz	
WEIGHT	P.B type ON . FL	
LOAD CHAIN FALL	51.5 KG	
BEAM WIDTH	1	
	75-150 MM	

TITLE				PROJECTION	
DLM-125KG CHAIN HOIST					
WORK NO	MODEL NO			SCALE	Q'TY
				1/1	1
DRAWN	CHECKED	REVIEWED	APPROVED	MODEL NO	
H.J	-	LEE	Y.K	DLM-125	
2019.09.25	-	2019.09.25	2019.09.25		
DAESAN INoTEC INC					

REV.NO	DATE	REVISION DESCRIPTION	DRAWN	CHECKED	APPROVED