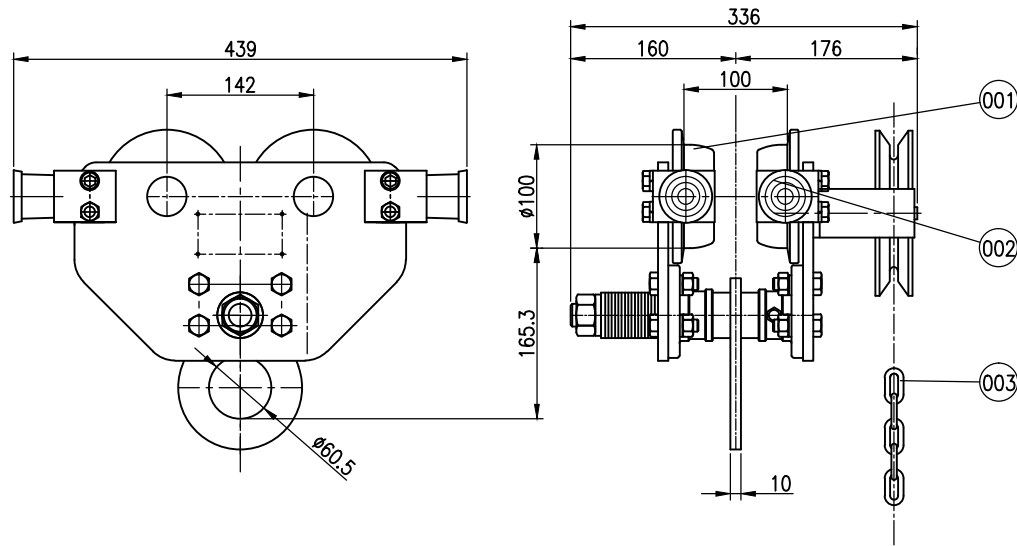


NO	DESCRIPTION	MAT'L	Q'TY	WT(kg)	REMARKS
001	PLAIN ROLLER	HBsC4	2		
002	GEAR ROLLER	HBsC4	2		
003	HAND CHAIN	SUS316L	90M		



SPECIFICATION	
HOISTING LOAD	2 TON
TESTING LOAD	2.5 TON
TRAVERSING	MANUAL
WEIGHT	28 kg
I-BEAM SIZE	100-150

* I-BEAM 폭 100MM 기준 도면임.

TITLE EX DG-2T GEAR TROLLEY				PROJECTION	
WORK NO		WORK NAME			
				SCALE	Q'TY
				1/2	1
DRAWN	CHECKED	REVIEWED	APPROVED	DRAWING NO	
YOO.M.R		LEE. H.J	Y.K	EXDG02001	
2015.04.13		2015.04.13	2015.04.13		
DAESAN INoTEC INC					

REV.NO	DATE	REVISION DESCRIPTION	DRAWN	CHECKED	APPROVED