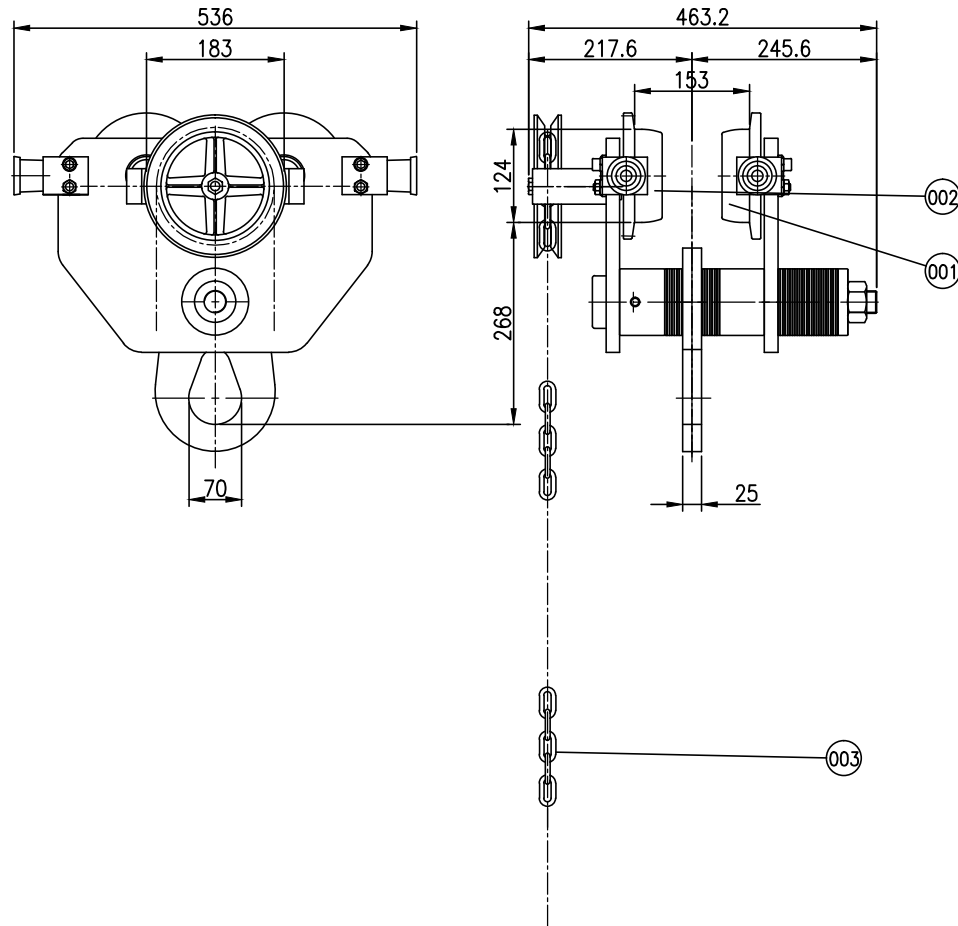


NO	DESCRIPTION	MAT'L	Q'TY	WT(kg)	REMARKS
001	PLAIN ROLLER	HBsC4	2		
002	GEAR ROLLER	HBsC4	2		
003	HAND CHAIN	SUS304	7M		



SPECIFICATION	
HOISTING LOAD	10 TON
TESTING LOAD	12.5 TON
TRAVERSING	MANUAL
WEIGHT	79 kg
I-BEAM SIZE	150-200

* 본 도면은 I-BEAM 150MM 기준 치수임

REV.NO	DATE	REVISION DESCRIPTION	DRAWN	CHECKED	APPROVED

TITLE EX DG-10TON GEAR TROLLEY				PROJECTION	
WORK NO		WORK NAME			
				SCALE	Q'TY
				1/3	1
DRAWN	CHECKED	REVIEWED	APPROVED	DRAWING NO	
H.J		LEE	Y. K	EXDG10T01	
18.07.06		18.07.06	18.07.06		
DAESAN INoTEC INC					