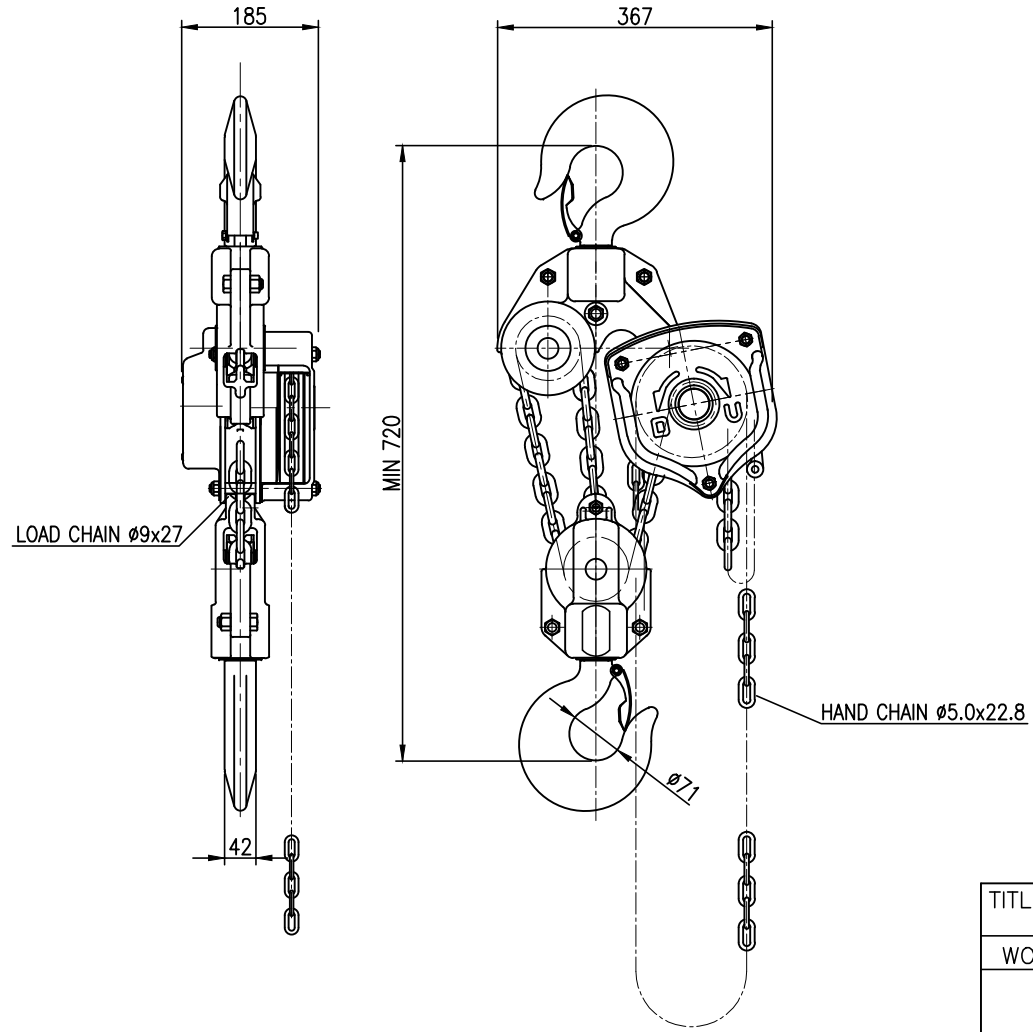


NO	DESCRIPTION	MAT'L	Q'TY	WT(kg)	REMARKS



SPECIFICATION	
HOISTING LOAD	7.5 TON
TESTING LOAD	12.5 TON
LIFTING HEIGHT	3.5 M
HOISTING	MANUAL
WEIGHT	55 kg
LOAD CHAIN	$\phi 9 \times 27$
PULLING EFFORTS	40 KG

TITLE DSN-7.5TON CHAIN BLOCK				PROJECTION	
WORK NO		WORK NAME			
				SCALE	Q'TY
				1/3	1
DRAWN	CHECKED	REVIEWED	APPROVED	DRAWING NO	
YOO.M.R		LEE. H.J	Y. K	DSN75001	
2016.01.21		2016.01.21	2016.01.21		

**DAESAN INoTEC INC**

REV.NO	DATE	REVISION DESCRIPTION	DRAWN	CHECKED	APPROVED