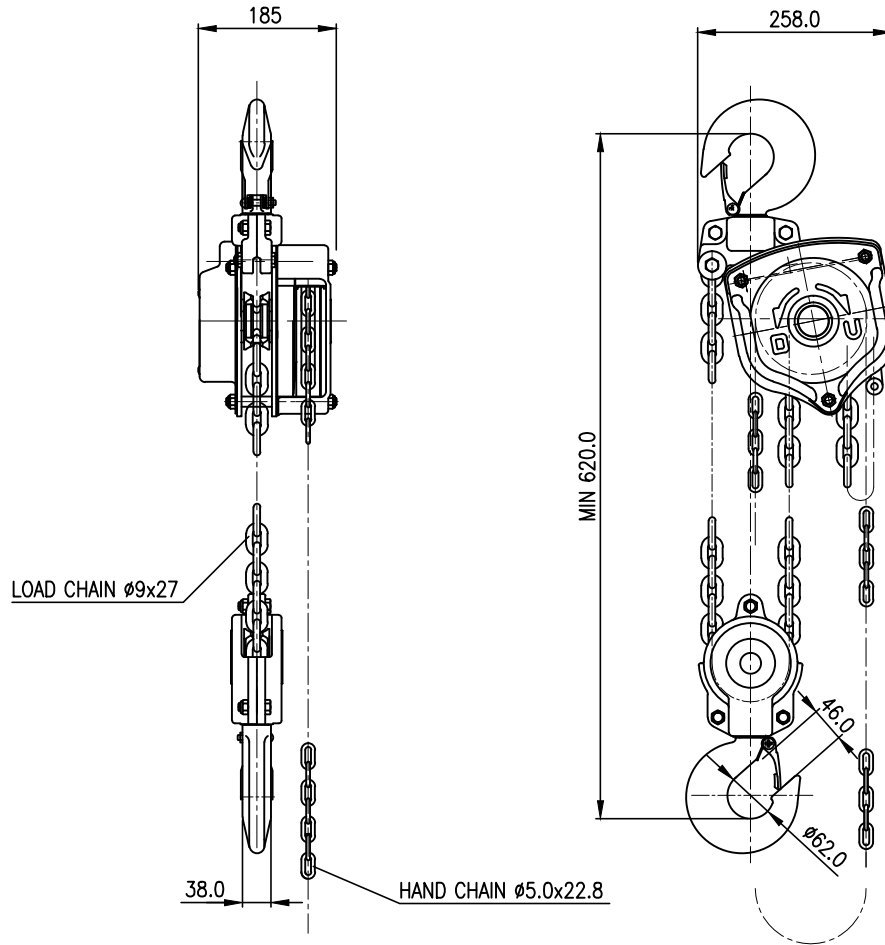


NO	DESCRIPTION	MAT'L	Q'TY	WT(kg)	REMARKS



SPECIFICATION	
HOISTING LOAD	5 TON
TESTING LOAD	6.25 TON
LIFTING HEIGHT	3 M
HOISTING	MANUAL
WEIGHT	41 kg
LOAD CHAIN	ø9x27
HAND CHAIN	ø5x22.8

TITLE				PROJECTION	
DSN-5TON CHAIN BLOCK					
WORK NO	WORK NAME			SCALE	Q'TY
				1/4	1
DRAWN	CHECKED	REVIEWED	APPROVED	DRAWING NO	
YOO.M.R	-	LEE. H.J	Y. K	DSN05001	
2012.06.25	-	2012.10.12	2012.10.12		

REV.NO	DATE	REVISION DESCRIPTION	DRAWN	CHECKED	APPROVED

**DAESAN InoTEC INC**