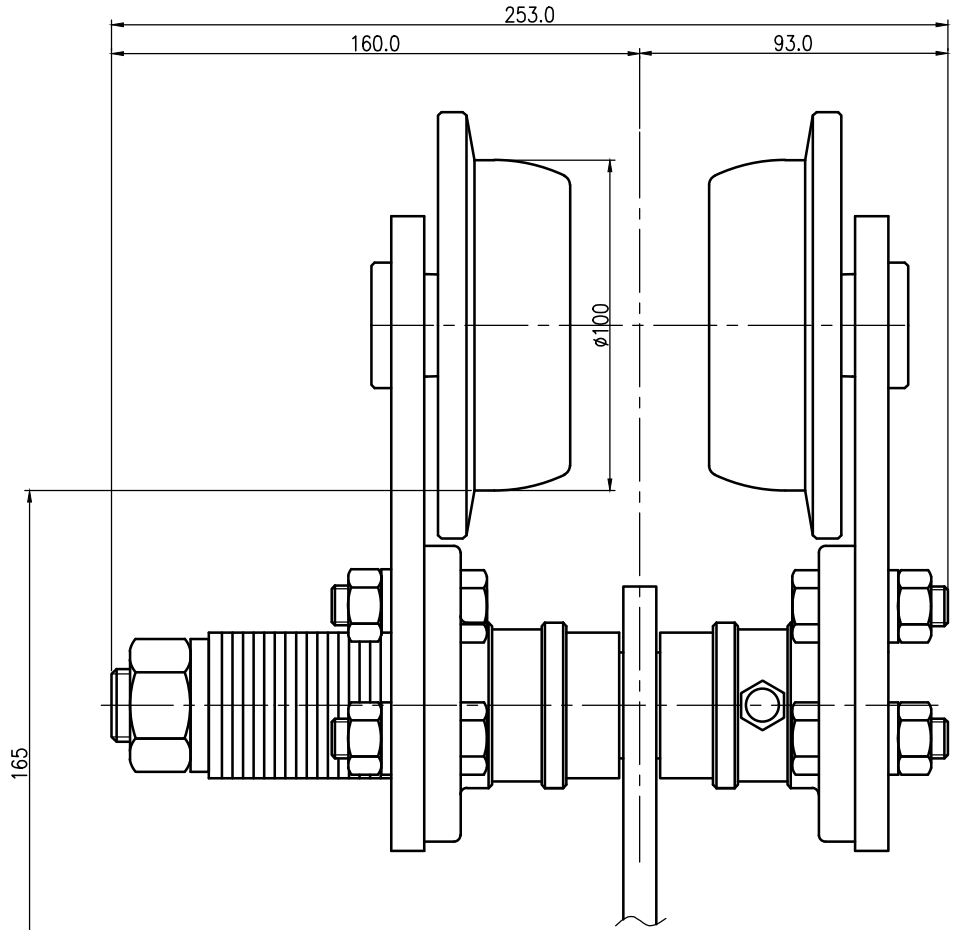
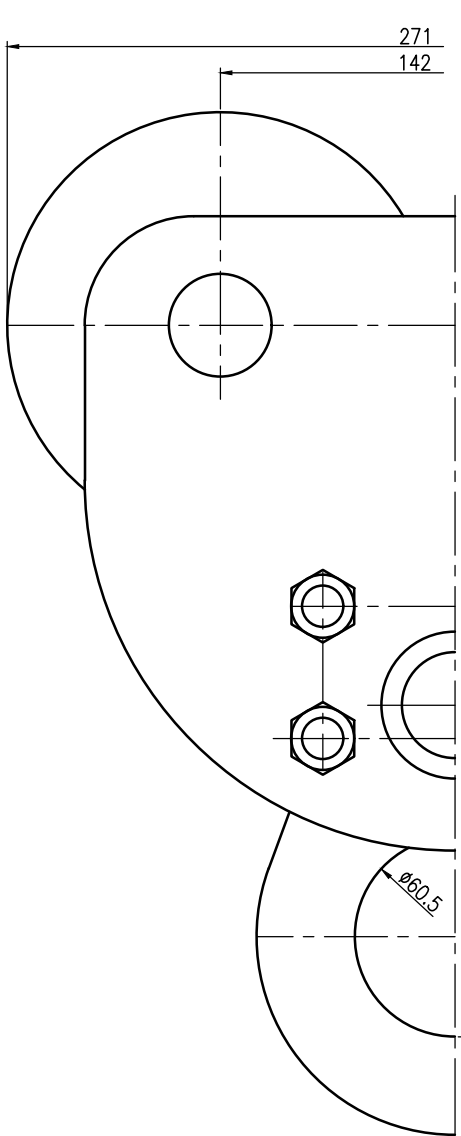


| NO | DESCRIPTION | MAT'L | Q'TY | WT(kg) | REMARKS |
|----|-------------|-------|------|--------|---------|
| | | | | | |



| | | | | | | | |
|--------------------------|---------|------------|------------|--------------------|--|------------|--|
| TITLE | | | | 2TON PLAIN TROLLEY | | PROJECTION | |
| WORK NO | | | | WORK NAME | | | |
| | | | | SCALE | | Q'TY | |
| | | | | 1/1 | | 1 | |
| DRAWN | CHECKED | REVIEWED | APPROVED | DRAWING NO | | | |
| YOO.M.R | - | LEE. H.J | Y. K | DSPT020001 | | | |
| 2012.06.25 | - | 2012.06.21 | 2012.09.04 | | | | |
| DAESAN INoTEC INC | | | | | | | |

| REV.NO | DATE | REVISION DESCRIPTION | DRAWN | CHECKED | APPROVED |
|--------|------|----------------------|-------|---------|----------|
| | | | | | |