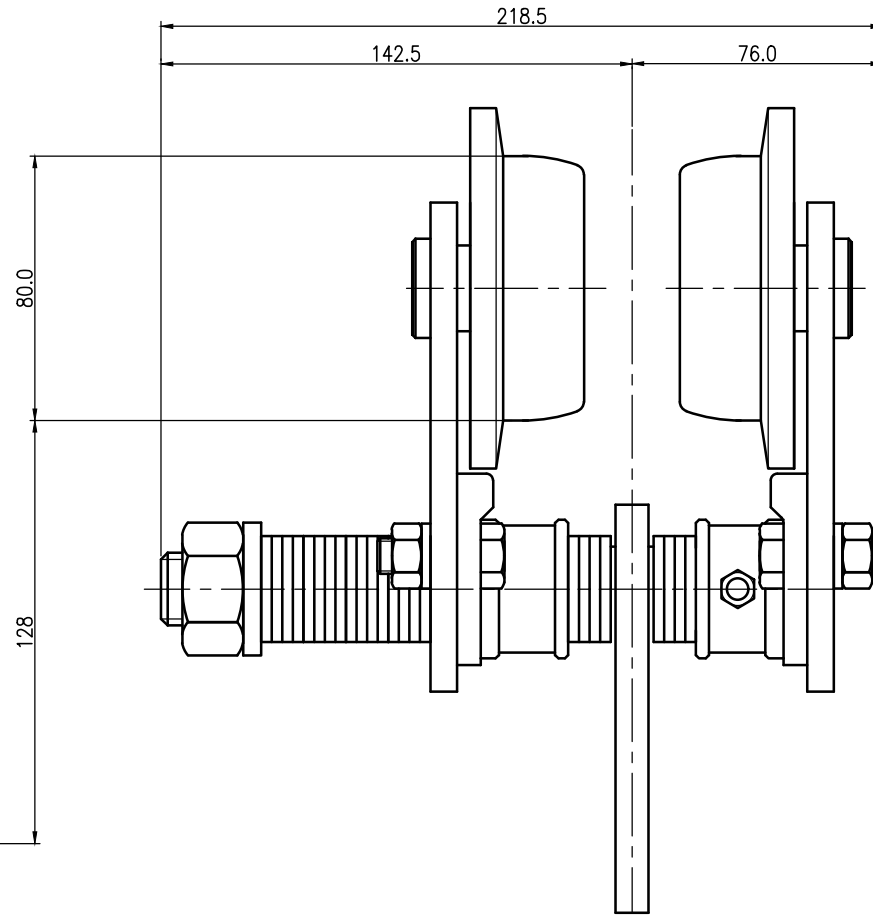
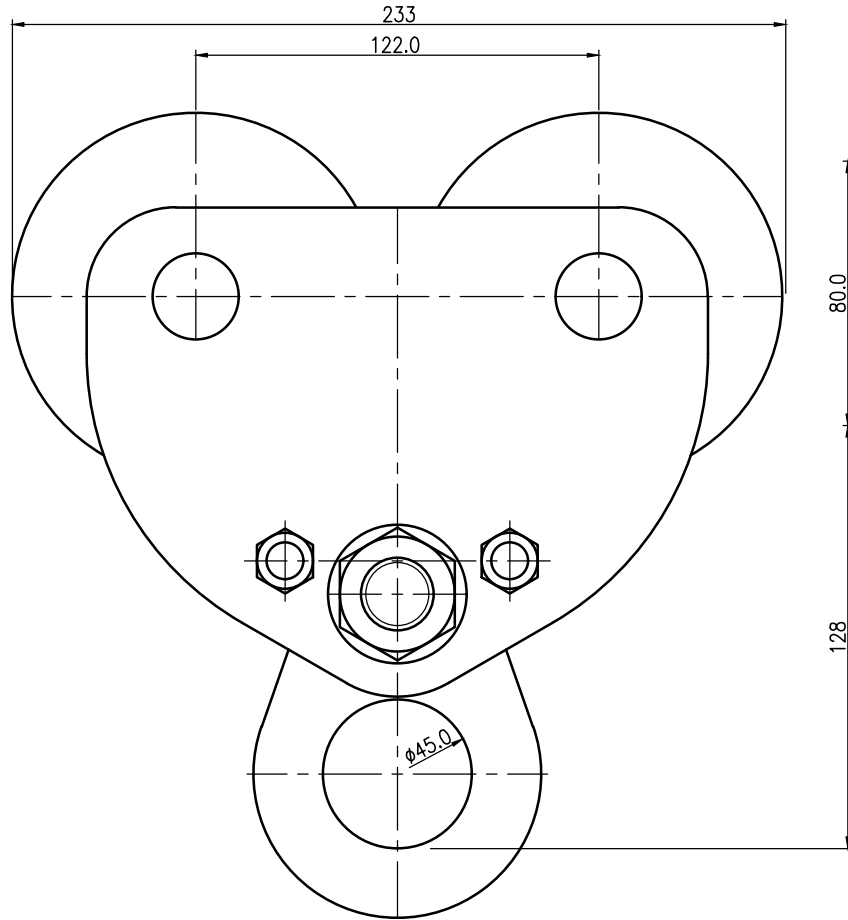


NO	DESCRIPTION	MAT'L	Q'TY	WT(kg)	REMARKS



REV.NO	DATE	REVISION DESCRIPTION	DRAWN	CHECKED	APPROVED

TITLE				1TON PLAIN TROLLEY		PROJECTION	
WORK NO				WORK NAME			
						SCALE	Q'TY
						1/1	1
DRAWN	CHECKED	REVIEWED	APPROVED	DRAWING NO			
YOO.M.R	-	LEE. H.J	Y. K	DSPT010001			
2012.06.25	-	2012.06.21	2012.09.04				
DAESAN InoTEC INC							