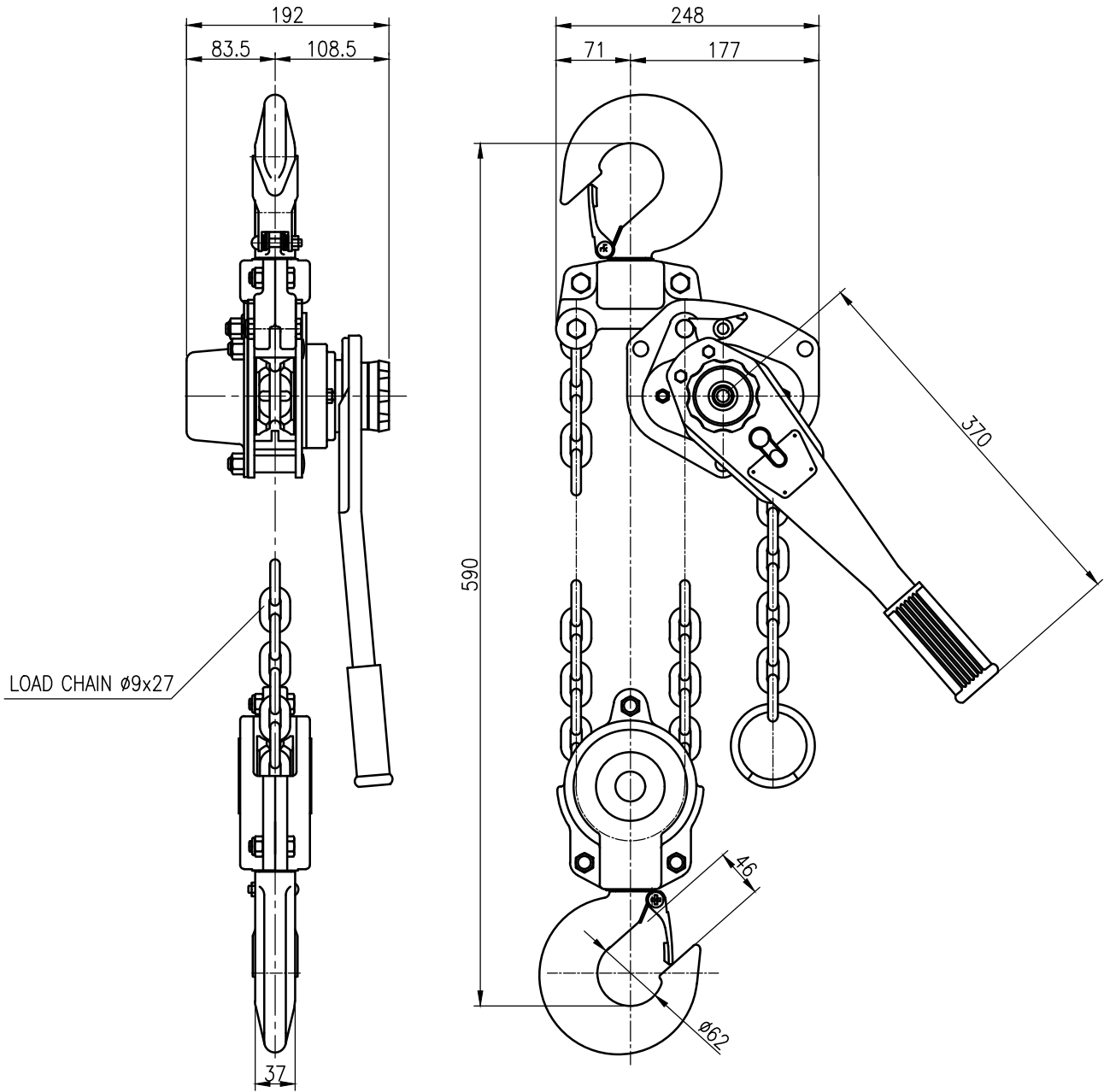


NO	DESCRIPTION	MAT'L	Q'TY	WT(kg)	REMARKS



SPECIFICATION	
HOISTING LOAD	6 TON
TESTING LOAD	9 TON
LIFTING HEIGHT	1.5 M
HOISTING	MANUAL
WEIGHT	26.7 kg
LOAD CHAIN	ø9X27

TITLE <b>D1-6TON LEVER BLOCK</b>				PROJECTION	
WORK NO		WORK NAME			
				SCALE	Q'TY
				<b>1/2</b>	<b>1</b>
DRAWN	CHECKED	REVIEWED	APPROVED	DRAWING NO	
YOO.M.R		LEE. H.J	Y. K	DSD106001	
2012.05.30		2012.12.04	2012.12.04		

REV.NO	DATE	REVISION DESCRIPTION	DRAWN	CHECKED	APPROVED

**DAESAN INoTEC INC**