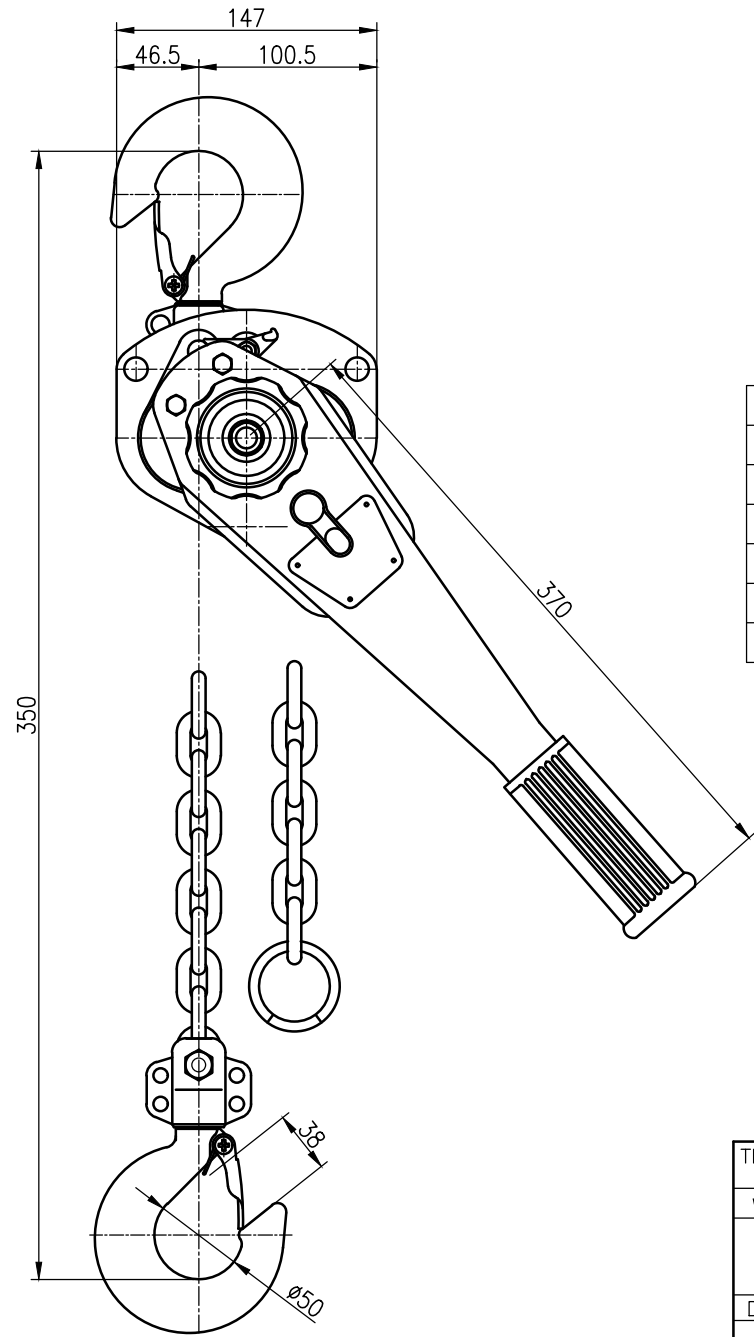
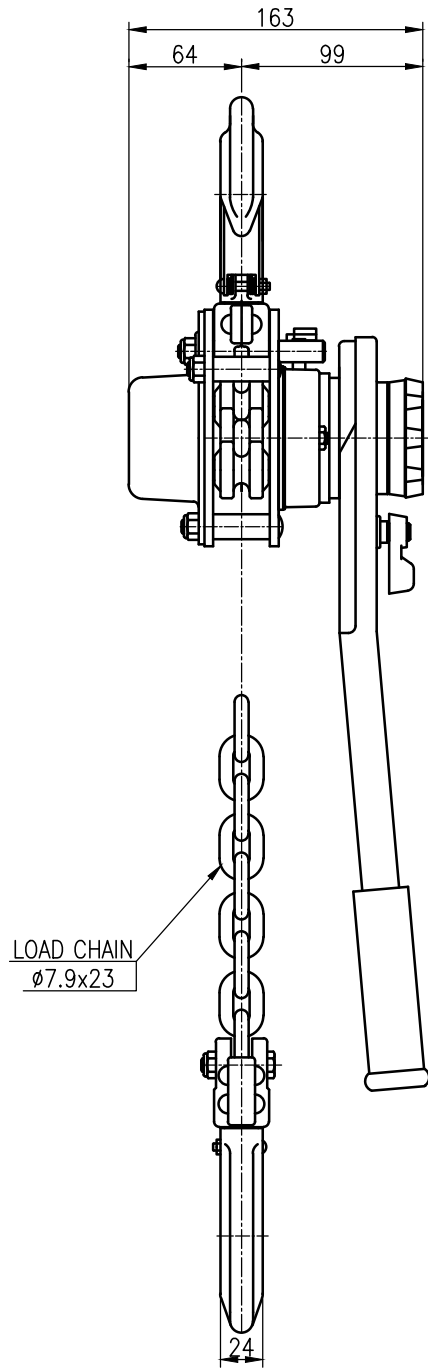


NO	DESCRIPTION	MAT'L	Q'TY	WT(kg)	REMARKS



SPECIFICATION	
HOISTING LOAD	2 TON
TESTING LOAD	3 TON
LIFTING HEIGHT	1.5 M
HOISTING	MANUAL
WEIGHT	12 kg
LOAD CHAIN	ø7.9x23

TITLE D1-2TON LEVER BLOCK				PROJECTION	
WORK NO		WORK NAME			
				SCALE	Q'TY
				1/1.4	1
DRAWN	CHECKED	REVIEWED	APPROVED	DRAWING NO	
YOO.M.R		LEE. H.J	Y.K	DSD102001	
2012.12.10		2012.12.10	2012.12.10		
DAESAN INoTEC INC					

REV.NO	DATE	REVISION DESCRIPTION	DRAWN	CHECKED	APPROVED