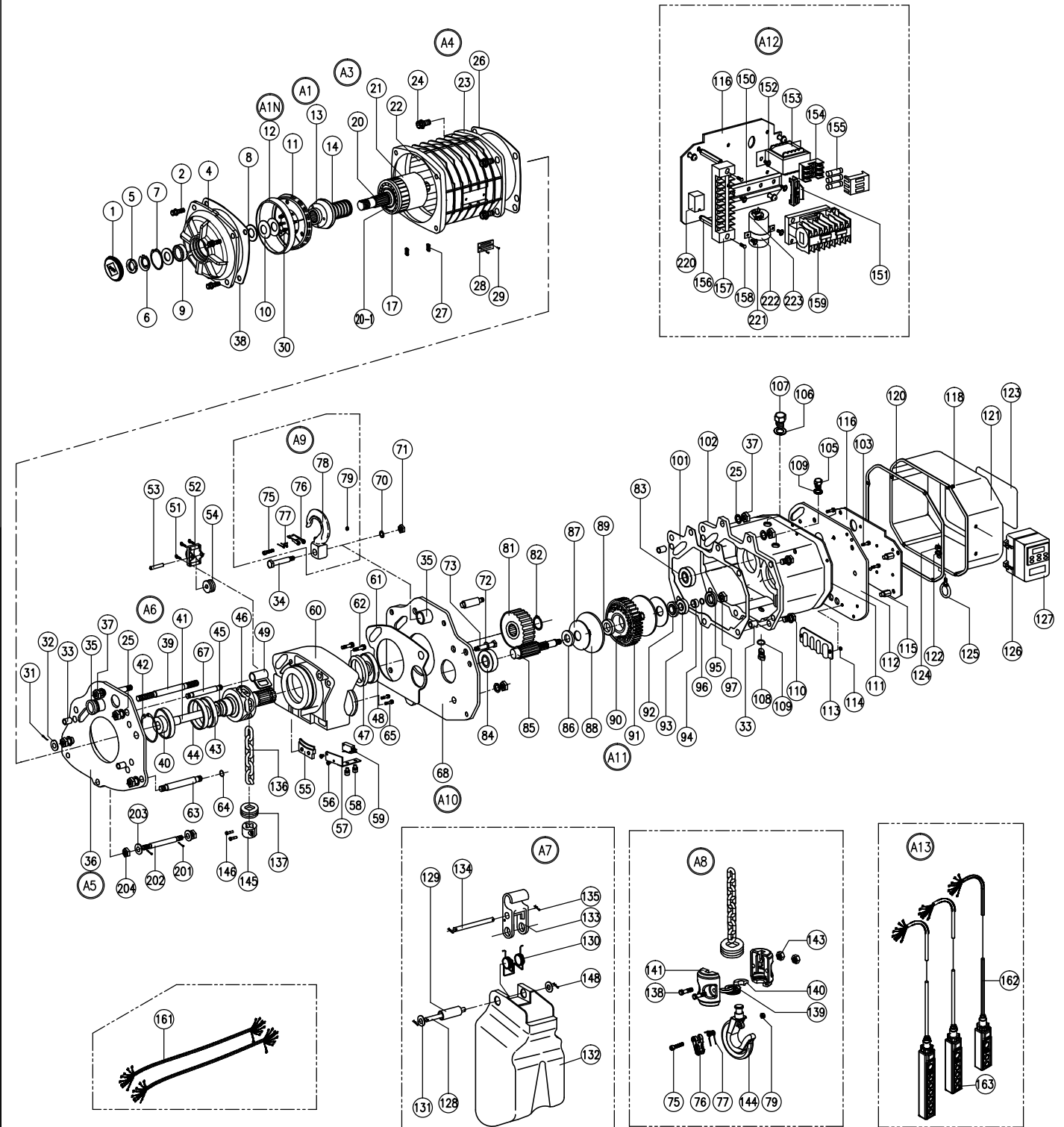


DSS-0.5S CHAIN HOIST

ASS'Y NO	ASSEMBLED PARTS	ASS'Y NO	ASSEMBLED PARTS	ASS'Y NO	ASSEMBLED PARTS
A1	A1N, 13, 30.	A6	40, 41.	A10	35, 68.
A1N	11, 12.	A7	128, 129,130,131,132,133,134,135,148.	A11	90, 91.
A3	17, 20, 21, 20-1.	A8	75, 76, 77, 79, 138, 139, 140, 141,	A12	116, 150, 151, 152, 153, 154, 155, 156,
A4	22, 23, 27, 28, 29.		143, 144.		157, 158, 159, 220, 221, 222, 223.
A5	35, 36.	A9	75, 76, 77, 78, 79.	A13	162, 163.



PART LIST (0.5TON HOIST)

NO	CODE NO	DESCRIPTION	Q'TY	REMARK	NO	CODE NO	DESCRIPTION	Q'TY	REMARK
1	DST010S704	PACKING CAP	1		54	DST050S407	ROLLER	1	
2	DSPW082500	WRENCH BOLT S/W	4	M8x25	55	DST050S420	STRIPPER	1	
4	DST010S702	BRAKE COVER	1		56	DSPTS04100	TAP SCREW	2	M4x10
5	DSPLAN0400	LOCK NUT	1	AN04	57	DST010S410	M/S BRACKET	1	
6	DSPLAW0400	LOCK WASHER	1	AW04	58	DSPM061500	MACHIN SCREW S/W	2	M6x15
7	DSPSR47000	SNAP RING	1	R47	59	DST010S411	LIMIT SWITCH	1	
8	DSPP213303	PLAIN WASHER	2	21 33 4	60	DST050S400	CHAIN GUIDE	1	
9	DSPB6204DD	BALL BEARING	1	6204DD	61	DST010S404	PACKING CHAIN GUIDE	1	
10	DST010S703	CLUTCH SPRING	2		62	DSPW084500	WRENCH BOLT S/W	2	M8x45
11	DST010S708	BRAKE DISC	1		63	DST010S123	STAY BOLT A	1	
12	DST010S707	LINING	1		64	DSPOP10000	ORING	1	P10
13	DST010S700	MOVING CORE	1		65	DSPW052500	WRENCH BOLT S/W	2	M5x25
14	DST050S705	BRAKE SPRING	1		67	DST010S124	STAY BOLT B	2	
17	DST010S505	MAGNETIC CORE	1		68	DST010S300	GEAR SIDE PLATE	1	
20	DST010S50A	ROTOR SHAFT	1		70	DSPS120000	SPRING WASHER	1	M12
20-1	DST010S201	PLAIN WASHER	1		71	DSPU120000	U-NUT	1	M12
21	DST050S501	ROTOR	1		72	DST010S215	PACKING STOPPER BOLT	1	
22	DST050S602	STATOR	1		73	DST010S301	STOPPER BOLT	1	
23	DST010S600	MOTOR CASE	1		75	DSPW042500	HEX WRENCH BOLT	2	M4x25
24	DSPW102000	WRENCH BOLT S/W	4	M10x20	76	DSN051414	SAFTY LATCH	2	DSN-0.5T
25	DSPS100000	SPRING WASHER	9	M10	77	DSN011413	SAFTY LATCH SPRING	2	DSN-1T
26	DST010S601	PACKING MOTOR CASE	1		78	DST050S01A	TOP HOOK	1	
27	DSPSP08120	SPRING PIN	2	∅8x12	79	DSPU040000	U-NUT	2	M4
28	DST005S027	MOTOR NAME PLATE	1		81	DST010S305	4th GEAR	1	
29	DSPRI03100	RIVET	2	∅3x10	82	DSPSS40000	SNAP RING	1	S40
30	DSPW061500	WRENCH BOLT S/W	6	M6x15	83	DSPB6301ZZ	BALL BEARING	1	6301ZZ
31	DSPCR10000	R PIN	2	10 $\bar{\text{c}}$	84	DSPB6204ZZ	BALL BEARING	1	6204ZZ
32	DSPP080000	PLAIN WASHER	2	M8	85	DST010S203	3RD GEAR	1	
33	DSPSP10120	SPRING PIN	4	∅10x12	86	DST010S208	COLLAR D	1	
34	DST010S302	TOP HOOK PIN	1		87	DST010S207	CLUTCH SPRING	2	
35	DST010S121	SUPPORT BOSS	2		88	DST010S204	CLUTCH DISC	2	
36	DST010S120	MOTOR SIDE PLATE	1		89	DST010S206	GUIDE COLLAR	1	
37	DSPN100000	HEX NUT	9	M10	90	DST010S202	CLUTCH LINING	2	
38	DST010S038	PACKING BRAKE COVER	1		91	DST010S201	2nd GEAR	1	
39	DST010S904	CHAIN BOX STAY BOLT	1		92	DST010S209	COLLAR C	1	
40	DST010S101	1st GEAR JOINT	1		93	DSPB6203ZZ	BALL BEARING	1	6203ZZ
41	DST010S100	1st GEAR	1		94	DST010S205	COLLAR A	1	
42	DSPSR80000	SNAP RING	1	R80	95	DSP0254008	OIL SEAL	1	25x40x8
43	DSPB6208ZZ	BALL BEARING	2	6208ZZ	96	DSPOP12500	ORING	1	P12.5
44	DST010S128	CHAIN GUIDE COLLAR	1		97	DSPU120000	U-NUT(PITCH 1.25)	1	M12
45	DSP0213208	OIL SEAL	1	21 32 8	101	DST010S211	PACKING GEAR CASE	1	
46	DST050S403	LOAD SHEAVE	1		102	DST010S210	GEAR CASE	1	
47	DSP0456812	OIL SEAL	1	45 68 12	103	DSPW061801	HEX WRENCH BOLT S/W	4	M6x18
48	DSPB6008ZZ	BALL BEARING	1	6008ZZ	105	DSPH101500	AIR HOLE BOLT	1	M10x15
49	DSA010S207	HANGER HOLDING METAL	1		106	DST010S214	PACKING OIL PLUG	1	
51	DSPW062000	HEX WRENCH BOLT S/W	4	M6x20	107	DST010S212	OIL PLUG	1	
52	DST010S408	ROLLER COVER	1		108	DSPH101500	HEX BOLT	2	M10x15
53	DST010S409	ROLLER PIN	1		109	DSP0257500	ORING	2	∅2.5x7.5

PART LIST (0.5TON HOIST)

NO	CODE NO	DESCRIPTION	Q'TY	REMARK	NO	CODE NO	DESCRIPTION	Q'TY	REMARK
110	DSPH102000	HEX BOLT S/W	5	M10x20	201	DSPCR10000	R PIN	2	10 $\bar{\text{c}}$
111	DST010S111	PACKING BOARD	1		202	DSA010S842	CHAIN BOX SUPPORT PIN	1	
112	EDST01S110	COMPONENT BOARD	1		203	DSPPO80000	PLAIN WASHER	2	M8
113	DST010S014	CORD HOLDER ASS'Y	1		204	DSPN080000	HEX NUT	2	M8
114	DSPN050000	HEX NUT	2	M5	220	DSS010S220	EMS	1	
115	DST010S674	HEX STAY PIN(S)	4		221	DSS010S221	STATING CONDENSER	1	
116	EDST01S112	ELECTRIC EQUIPMENT BOARD	1		222	DSS010S222	SADDLE		
118	DSPM061200	MACHIN SCREW S/W	8	M6x12	223	DSM010S223	RECHARGE RESISTOR	1	
120	EDST01S801	PACKING COMPONENT CASE	1						
121	EDST01S802	ELECTRIC COMPONENT CASE	1						
122	DSPS080000	SPRING WASHER	1	M8					
123	EDSS01S123	NAME PLATE	1		ASSEMBLY				
124	DSPN080000	NUT	1	M8	A1	DST010S007	BRAKE ASS'Y	1	
125	DSPE080000	EYE BOLT	1	M8	A1N	DST010SA1N	BRAKE DISC ASS'Y	1	
126	DSPM051200	MACHIN SCREW S/W	1	M5x12	A3	DST050S005	ROTOR ASS'Y	1	
127	DST010S127	LOAD LIMITER	1		A4	DST050S006	MOTOR ASS'Y	1	
128	DST010S128	CHAIN BOX HANGER PIN	1		A4S	DST050SA4S	STATOR ASS'Y	1	
129	DST010S129	STAY PIPE	2		A5	DST010S002	MOTOR SIDE PLATE ASS'Y	1	
130	DST010S130	RETURN SPRING	1		A6	DST010S001	1st GAER ASS'Y	1	
131	DSPP120000	PLAIN WASHER	1	M12	A7	DST010S012	CHAIN BOX ASS'Y	1	
132	DST010S021	CHIAN BOX	1		A8	DST050S010	BOTTOM HOOK ASS'Y	1	
133	DST010S133	CHAIN BOX HANGER	1		A9	DST050S009	TOP HOOK ASS'Y	1	
134	DST010S134	CHAIN BOX HANGER PIN	1		A10	DST010S003	GEAR SIDE PLATE ASS'Y	1	
135	DSPCR10000	R PIN	2	10 $\bar{\text{c}}$	A11	DST010S200	2nd GEAR ASS'Y	1	
136	DST050S800	LOAD CHAIN	1		A12	DST010S011	ELECTRIC ASS'Y	1	
137	DST010S013	BUMPER ASS'Y	2		A13	DST010S003	PUSH BUTTON ASS'Y	1	
138	DSPH062500	WRENCH BOLT	2	M6x25					
139	DSPT511030	THRUST BEARING	1	51103					
140	DST050S15C	SPLIT RING	2						
141	DST050S901	BOTTOM HOOK COVER	2						
143	DSPU060000	U NUT	2	M6					
144	DST050S15A	BOTTOM HOOK	2						
145	DST010S20A	CHAIN STOPPER	2						
146	DSPW062500	WRENCH BOLT	2	M6X25					
148	DSPCR12000	R PIN	2	12 $\bar{\text{c}}$					
150	DST010S150	CHANNEL	1						
151	DST010S151	CHANNEL STOPPER	1						
152	DSPM040800	MACHINE SCREW S/W P/W	4	M4x8					
153	DSPTR40VA0	TRANSFORMER	1						
154	DSPFH3P000	FUSE HOLDER	1						
155	DSPF01A000	FUSE	3						
156	EDSA01S749	HEX STAY PIN	2						
157	DSTTB10P00	TERMINAL BLOCK	1						
158	DSPM041200	MACHINE SCREW S/W	2						
159	DSPMA10000	MAGNETIC CONTACTOR	2						
161	DST010S591	POWER CABLE ASS'Y	1						
162	DST010S701	PUSH BUTTON CABLE	1						
163	DSPPB3P000	PUSH BUTTON	1						