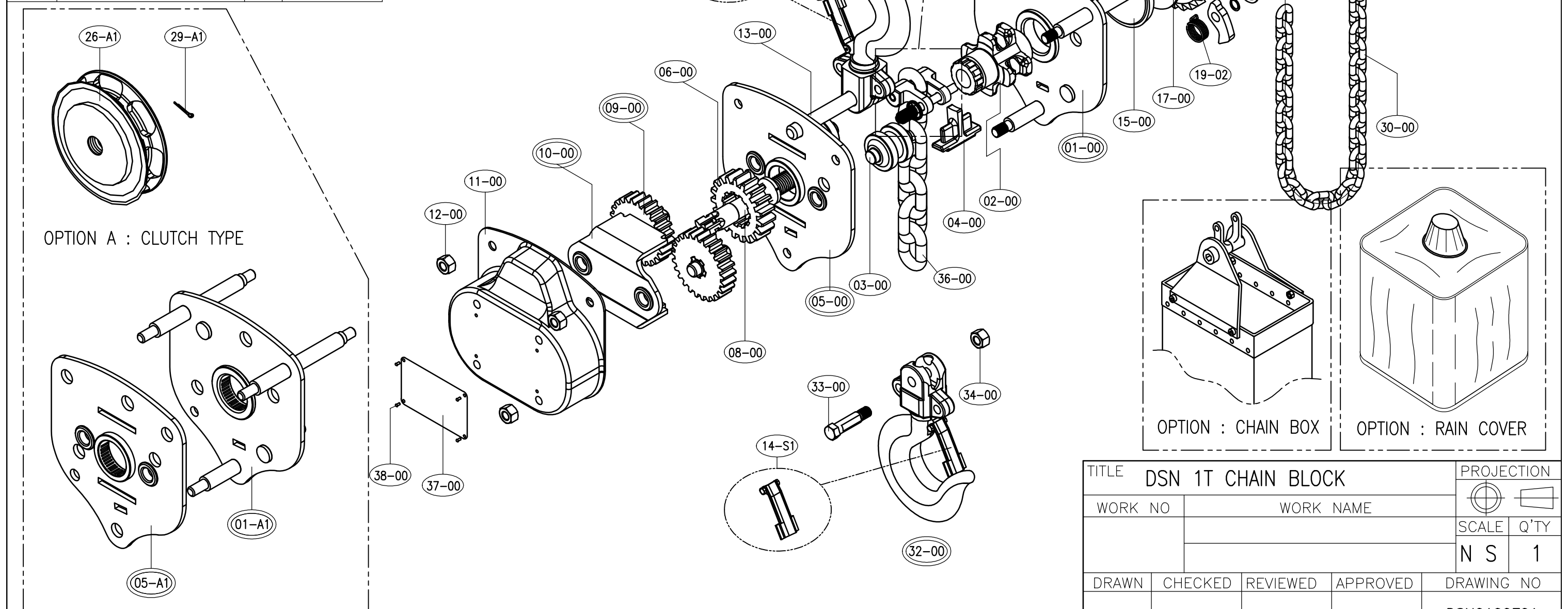


NO	DESCRIPTION	Q'TY	REMARKS	NO	DESCRIPTION	Q'TY	REMARKS
01-00	SIDE PLATE 1 ASS'Y	1		25-00	BRAKE COVER	1	
02-00	LOAD SHEAVE	1		26-00	HAND WHEEL	1	
03-00	GUIDE	2		27-00	WHEEL WASHER	1	
04-00	STRIPPER	1		28-00	PINION NUT	1	
05-00	SIDE PLATE 2 ASS'Y	1		29-00	R-PIN	1	
06-00	1ST GEAR	1		30-00	HAND CHAIN	1	Ø5X22.8
08-00	PINION SHAFT	1		31-00	WHEEL COVER ASS'Y	1	
09-00	2ND GEAR & 3RD GEAR ASS'Y	2		32-00	BOTTOM HOOK ASS'Y	1	
10-00	SUPPORT PLATE ASS'Y	1		33-00	HOOK BOLT	1	
11-00	GEAR COVER	1		34-00	U-NUT	1	M8
12-00	U-NUT	6	M8	35-00	ANCHOR-B ASS'Y	1	
13-00	TOP HOOK PIN	1		36-00	LOAD CHAIN	1	Ø6.3X19.1
14-00	TOP HOOK ASS'Y	1		37-00	NAME PLATE	1	
14-S1	SAFETY LATCH SET	2		38-00	RIVET	4	
15-00	HUB	1		01-A1	SIDE PLATE 1 ASS'Y	1	OPTION
16-00	RATCHET GEAR	1		05-A1	SIDE PLATE 2 ASS'Y	1	OPTION
17-00	DISC-A	1	Ø66XØ45.5X2.5	26-A1	CLUTCH ASS'Y	1	OPTION
18-00	DISC-B	1	Ø75XØ45.5X2.5	29-A1	COTTER PIN	1	OPTION
19-01	PAWL SPRING A	1					
19-02	PAWL SPRING B	1					
20-00	PAWL	2					
21-00	SNAP RING	2	S-8				
22-00	END SPRING	1					
23-00	END PIN	1					
24-00	ANCHOR-A	1					



TITLE DSN 1T CHAIN BLOCK				PROJECTION	
WORK NO		WORK NAME			
				SCALE	Q'TY
				N S	1
DRAWN	CHECKED	REVIEWED	APPROVED	DRAWING NO	
J.D	-	LEE. H.J	Y. K	DSN0100E01	
2019.11.04	-	2019.11.04	2019.11.04		

REV.NO	DATE	REVISION DESCRIPTION	DRAWN	CHECKED	APPROVED

DAESAN INoTEC INC