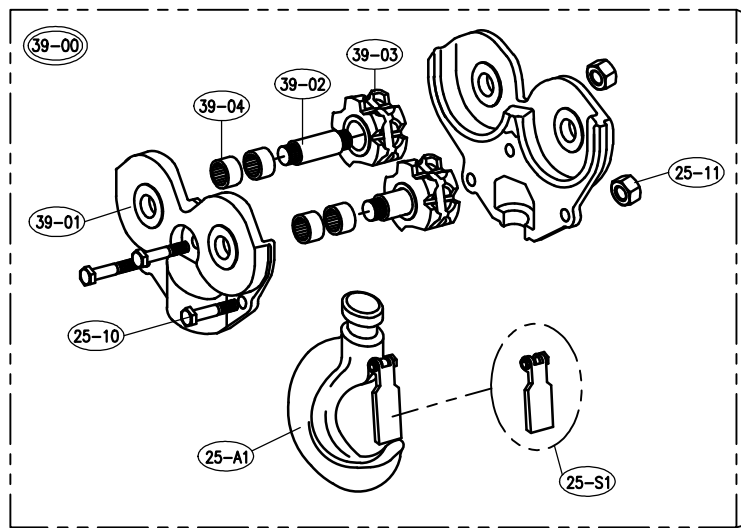
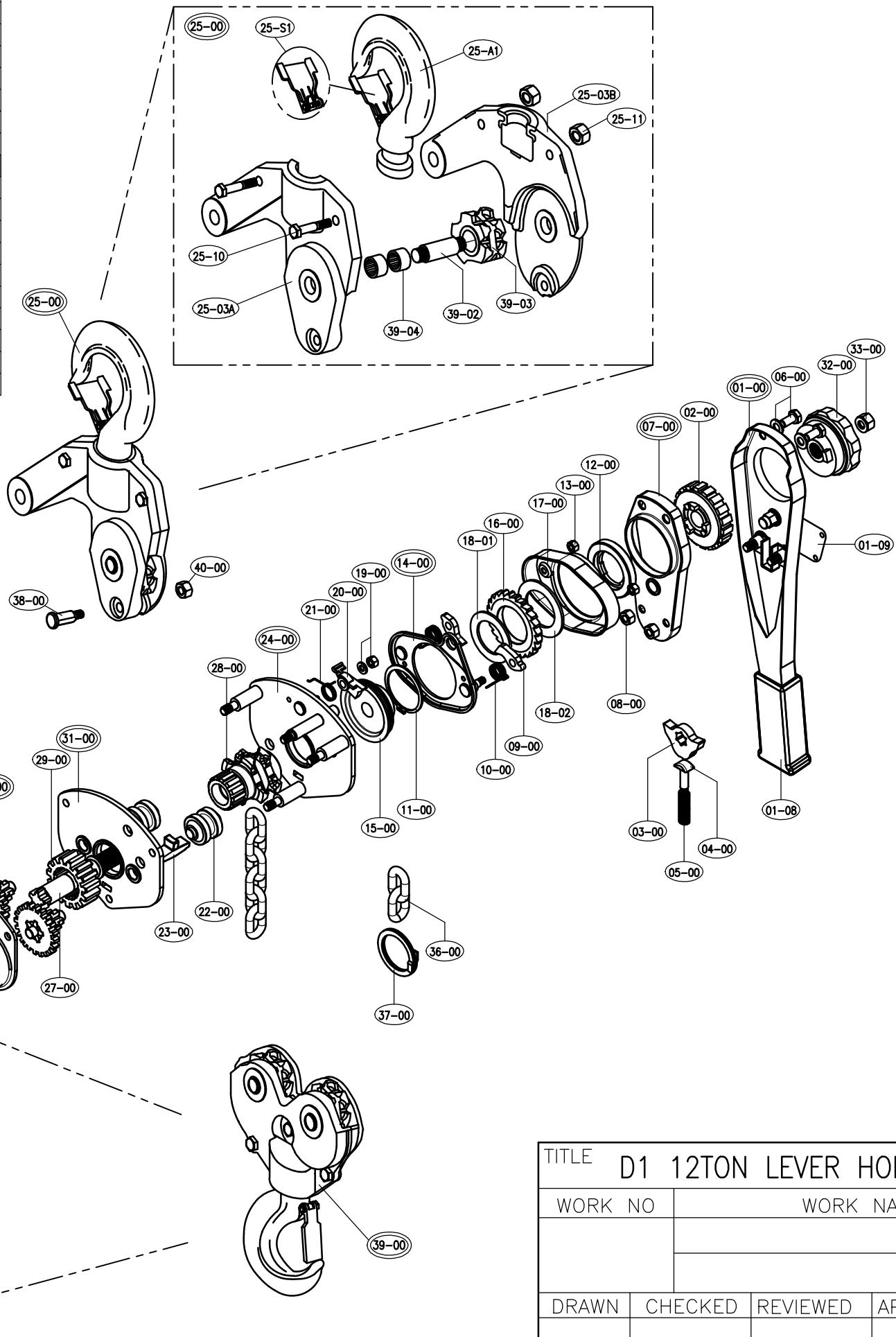


NO	DESCRIPTION	Q'TY	REMARKS	NO	DESCRIPTION	Q'TY	REMARKS
01-00	LEVER ASS'Y	1		27-00	PINION SHAFT	1	
01-08	RUBBER GRIP	1		28-00	LOAD SHEAVE	1	
01-09	NAME PLATE	1		29-00	1ST GEAR	1	
02-00	CHANGE GEAR	1		30-00	2ND GEAR & 3RD GEAR ASS'Y	2	
03-00	CHANGE PAWL	1		31-00	SIDE PLATE 2 ASS'Y	1	
04-00	PUSH PIN	1		32-00	GRIP RING	1	
05-00	PUSH SPRING	1		33-00	PINION NUT	1	
06-00	BOLT S/W	2	M6x15	34-00	GEAR COVER ASS'Y	1	
07-00	LEVER COVER ASS'Y	1		35-00	U-NUT	3	M10
08-00	U-NUT	2	M8	36-00	LOAD CHAIN	1	Ø9.0x27.0
09-00	PAWL	2		37-00	END RING	1	
10-00	PAWL SPRING	2		38-00	HOOB BOLT	1	
11-00	SNAP RING	1	S-70	39-00	BOTTOM HOOK ASS'Y	1	
12-00	BRAKE WASHER	1		39-01	BOTTOM FRAME	2	
13-00	U-NUT	2	M8	39-02	AXLE	3	
14-00	REVERSE PLATE ASS'Y	1		39-03	SHEAVE	3	
15-00	HUB	1		39-04	NEEDLE BEARING	6	
16-00	RATCHET GEAR	1		40-00	U-NUT	1	M10
17-00	BRAKE COVER	1		41-00	COVER PLATE	1	
18-01	DISC A	1	Ø66xØ46x2.5				
18-02	DISC B	1	Ø75xØ46x2.5				
19-00	U-NUT P/W	1	M8				
20-00	LOCK LEVER	1					
21-00	LOCK LEVER SPRING	1					
22-00	GUIDE	2					
23-00	STRIPPER	1					
24-00	SIDE PLATE 1 ASS'Y	1					
25-00	TOP HOOK ASS'Y	1					
25-A1	HOOK ASS'Y	2					
25-S1	SAFETY LATCH SET	2					
25-03A	TOP FRAME A	1					
25-03B	TOP FRAME B	1					
25-10	HEX BOLT	5	M12x45				
25-11	HEX NUT	5	M12				



TITLE D1 12TON LEVER HOIST				PROJECTION	
WORK NO		WORK NAME			
				SCALE	Q'TY
				N S	1
DRAWN	CHECKED	REVIEWED	APPROVED	DRAWING NO	
J.D	-	LEE. H.J	Y. K	D01120WE01	
2019.11.04	-	2019.11.04	2019.11.04		
DAESAN INoTEC INC					

REV.NO	DATE	REVISION DESCRIPTION	DRAWN	CHECKED	APPROVED