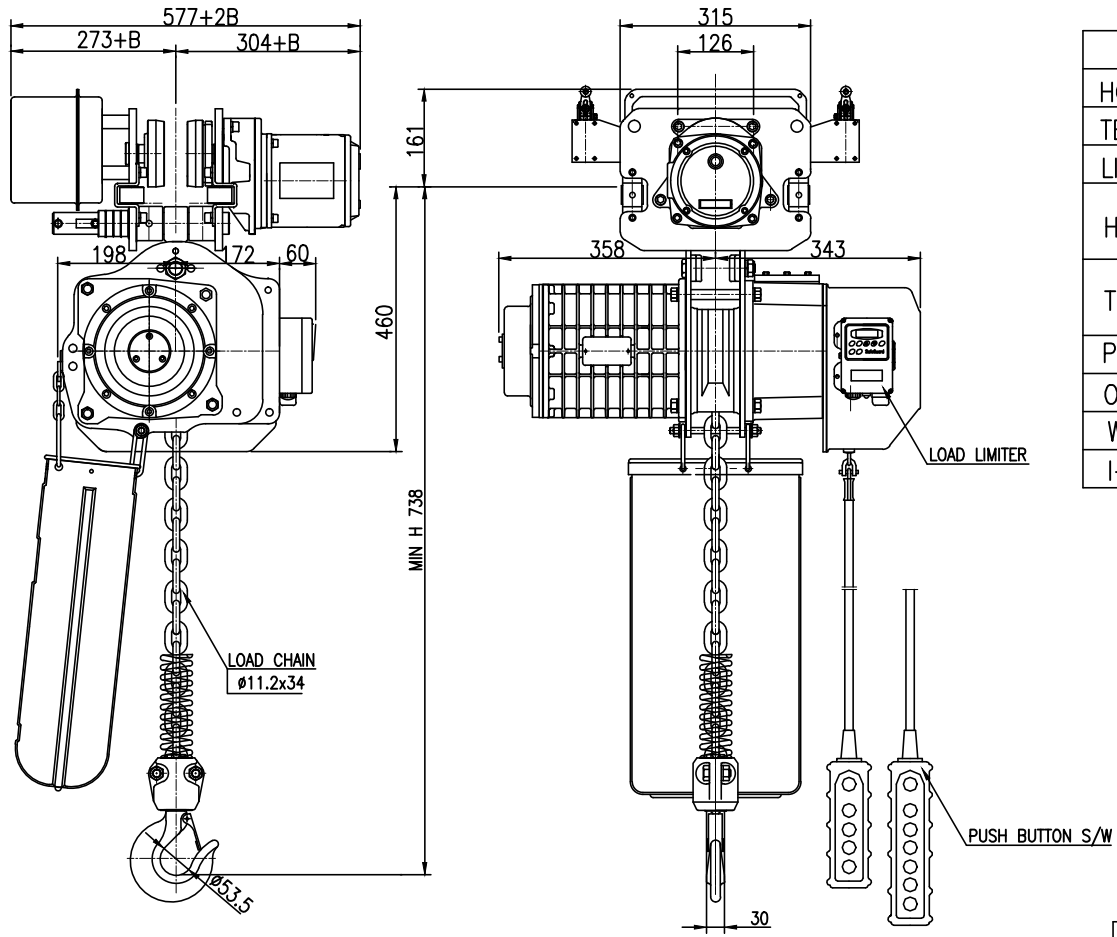


NO	DESCRIPTION	MAT'L	Q'TY	WT(kg)	REMARKS



SPECIFICATION			
HOISTING LOAD	2	TON	
TESTING LOAD	2.5	TON	
LIFTING HEIGHT	4	M	
HOISTING	SPEED	2.2-6.5	M/MIN
	MOTOR	3.5 KW x 4P x 1 SET	
TRAVERSING	SPEED	5.2-15.2	M/MIN
	MOTOR	0.4 KW x 6P x 1 SET	
POWER SUPPLY	AC 220,380,440. x 3Ø x 60 Hz		
OPERATING METHOD	P.B type ON . FL		
WEIGHT	173 KG		
I-BEAM SIZE	100-150 MM		

NOTE

- \* β는 BEAM 변동 치수임.
- \* ROLLER DIA : Ø110
- \* LIMIT SWITCH : OPTION
- \* 본 도면은 I-BEAM 100MM 기준임.

TITLE				PROJECTION	
EDSM-2S CHAIN HOIST					
WORK NO	WORK NAME			SCALE	Q'TY
				1/1	1
DRAWN	CHECKED	REVIEWED	APPROVED	DRAWING NO	
H.J	-	LEE. H.J	Y. K	EDSM02S01	
2020.09.14	-	2020.09.14	2020.09.14		
<b>DAESAN INoTEC INC</b>					

도면에 지시되지 않은 일반공차						
가공별	치수	3-6	6-30	30-120	120-315	315-1000
선	삭	±0.1	±0.2	±0.3	±0.5	±0.8
구멍간	거리	±0.1	±0.2	±0.3	±0.5	±0.8

REV.NO	DATE	REVISION DESCRIPTION	DRAWN	CHECKED	APPROVED