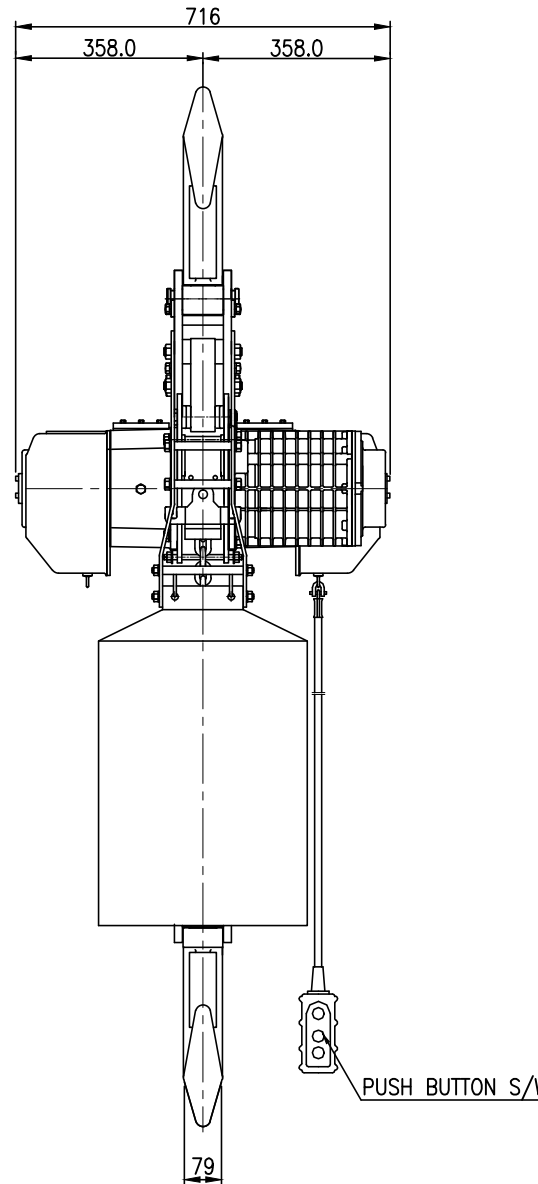
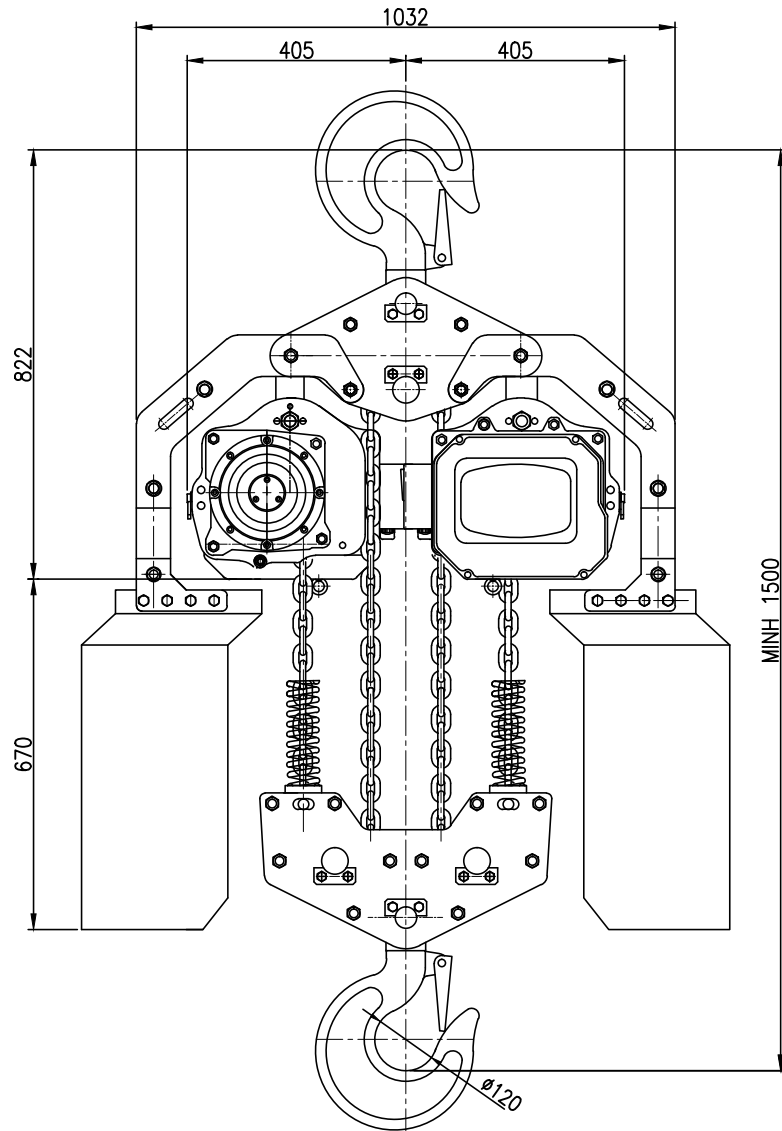


NO	DESCRIPTION	MAT'L	Q'TY	WT(kg)	REMARKS



SPECIFICATION		
HOISTING LOAD	10	TON
TESTING LOAD	12.5	TON
LIFTING HEIGHT	5	M
HOISTING	SPEED	1.35-3.25 M/MIN
	MOTOR	3.5 KW x 2 SET
POWER SUPPLY	AC 220,380,440.x3ø x 60 Hz	
OPERATING METHOD	P.B type ON . FL	
WEIGHT	411 KG	

TITLE EDSA-10W CHAIN HOIST		PROJECTION	
WORK NO	WORK NAME		
		SCALE	Q'TY
		1/1	1

도면에 지시되지 않은 일반공차						
가공별	치수	3-6	6-30	30-120	120-315	315-1000
선	삭	±0.1	±0.2	±0.3	±0.5	±0.8
구멍간	거리	±0.1	±0.2	±0.3	±0.5	±0.8

DRAWN	CHECKED	REVIEWED	APPROVED	DRAWING NO
H.J		LEE	Y. K	EDSA10W01
2020.09.14		2020.09.14	2020.09.14	

REV.NO	DATE	REVISION DESCRIPTION	DRAWN	CHECKED	APPROVED

DAESAN INoTEC INC