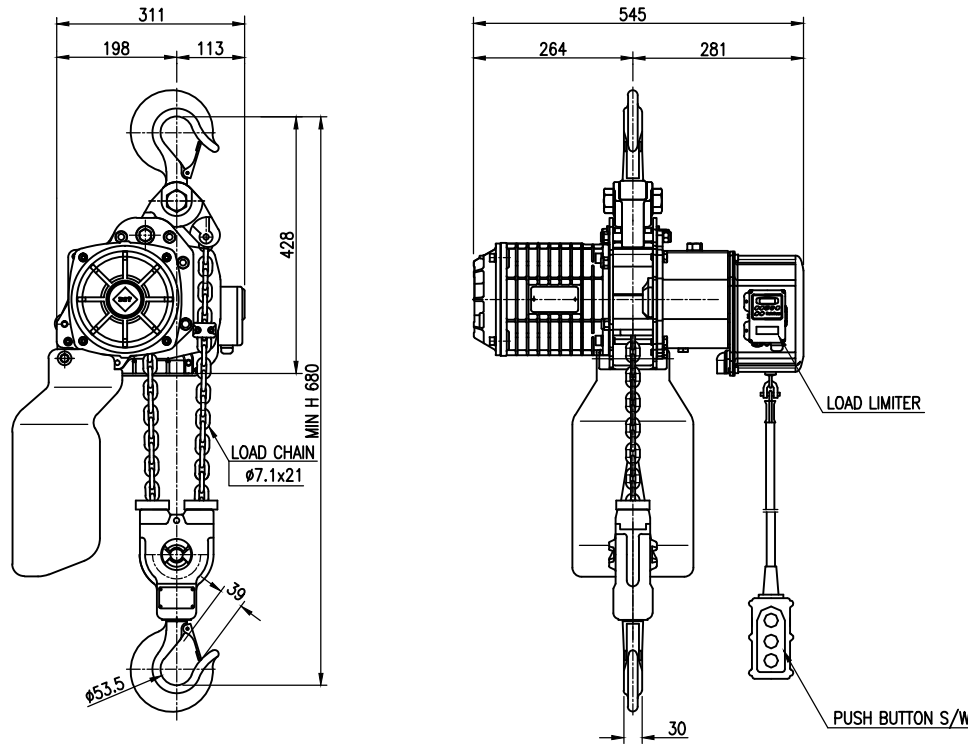


| NO | DESCRIPTION | MAT'L | Q'TY | WT(kg) | REMARKS |
|----|-------------|-------|------|--------|---------|
| | | | | | |



| SPECIFICATION | | |
|------------------|-------------------------------|---------------------|
| HOISTING LOAD | 2 | TON |
| TESTING LOAD | 2.5 | TON |
| LIFTING HEIGHT | 4 | M |
| HOISTING | SPEED | 1.7/2.0 M/MIN |
| | MOTOR | 0.8 KW x 4P x 1 SET |
| POWER SUPPLY | AC 220V x 1 ϕ x 50/60 Hz | |
| OPERATING METHOD | P.B type ON . FL | |
| WEIGHT | 73 KG | |

| | | | | | |
|----------------------------|---------|------------|------------|------------|------|
| TITLE DSS-2TON CHAIN HOIST | | | | PROJECTION | |
| WORK NO | | WORK NAME | | | |
| | | | | SCALE | Q'TY |
| | | | | 1/1 | 1 |
| DRAWN | CHECKED | REVIEWED | APPROVED | DRAWING NO | |
| YOO.M.R | - | LEE. H.J | Y.K | DSS020W001 | |
| 2013.09.02 | - | 2013.09.02 | 2013.09.02 | | |

| REV.NO | DATE | REVISION DESCRIPTION | DRAWN | CHECKED | APPROVED |
|--------|------|----------------------|-------|---------|----------|
| | | | | | |

DAESAN INoTEC INC