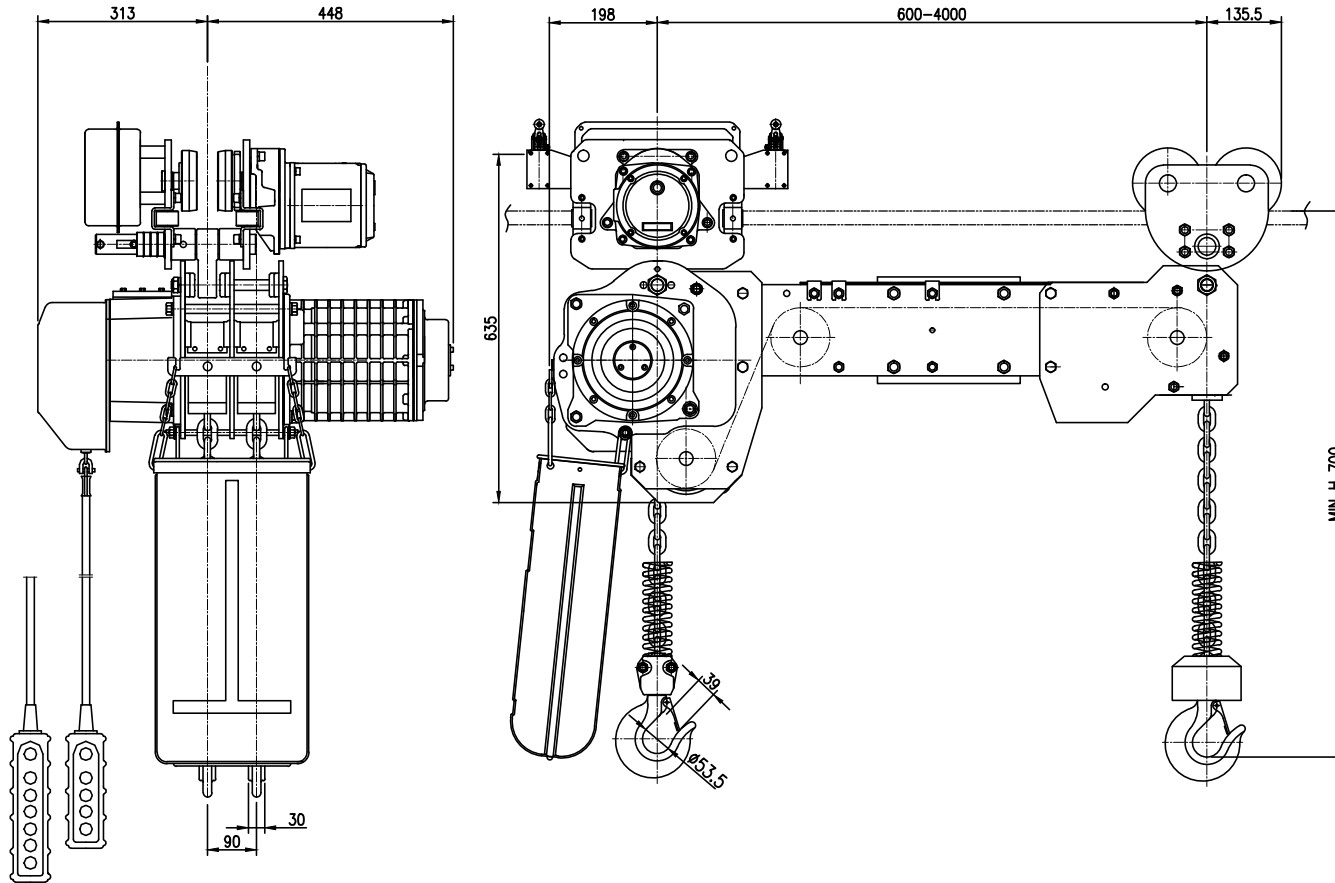


NO	DESCRIPTION	MAT'L	Q'TY	WT(kg)	REMARKS



SPECIFICATION		
HOISTING LOAD	1.5	TON
TESTING LOAD	1.875	TON
LIFTING HEIGHT	4	M
HOISTING	SPEED	8.6/10.3 M/MIN
	MOTOR	3.5KW x 4P x 1 SET
TRAVERSING	SPEED	15/21 M/MIN
	MOTOR	0.4 KW x 6/4P x 1 SET
POWER SUPPLY	AC 220,380,440,480 x 3ø x 50/60 Hz	
OPERATING METHOD	P.B type ON . FL	
I-BEAM SIZE	100-150 MM	

NOTE

- * B는 BEAM 변동값임
- * ROLLER DIA : ø110
- * LIMIT SWITCH : OPTION
- * 본 도면은 1-BEAM 100MM 기준임.

TITLE DSDHM-1.5S CHAIN HOIST				PROJECTION	
WORK NO		WORK NAME			
				SCALE	Q'TY
				1/1	1
DRAWN	CHECKED	REVIEWED	APPROVED	DRAWING NO	
H.J	-	LEE	Y. K	DSDHM015S1	
2020.09.15		2020.09.15	2020.09.15		

도면에 지시되지 않은 일반공차					
치수	3-6	6-30	30-120	120-315	315-1000
가공별					
선	±0.1	±0.2	±0.3	±0.5	±0.8
구멍간 거리					

REV.NO	DATE	REVISION DESCRIPTION	DRAWN	CHECKED	APPROVED

DAESAN INoTEC INC