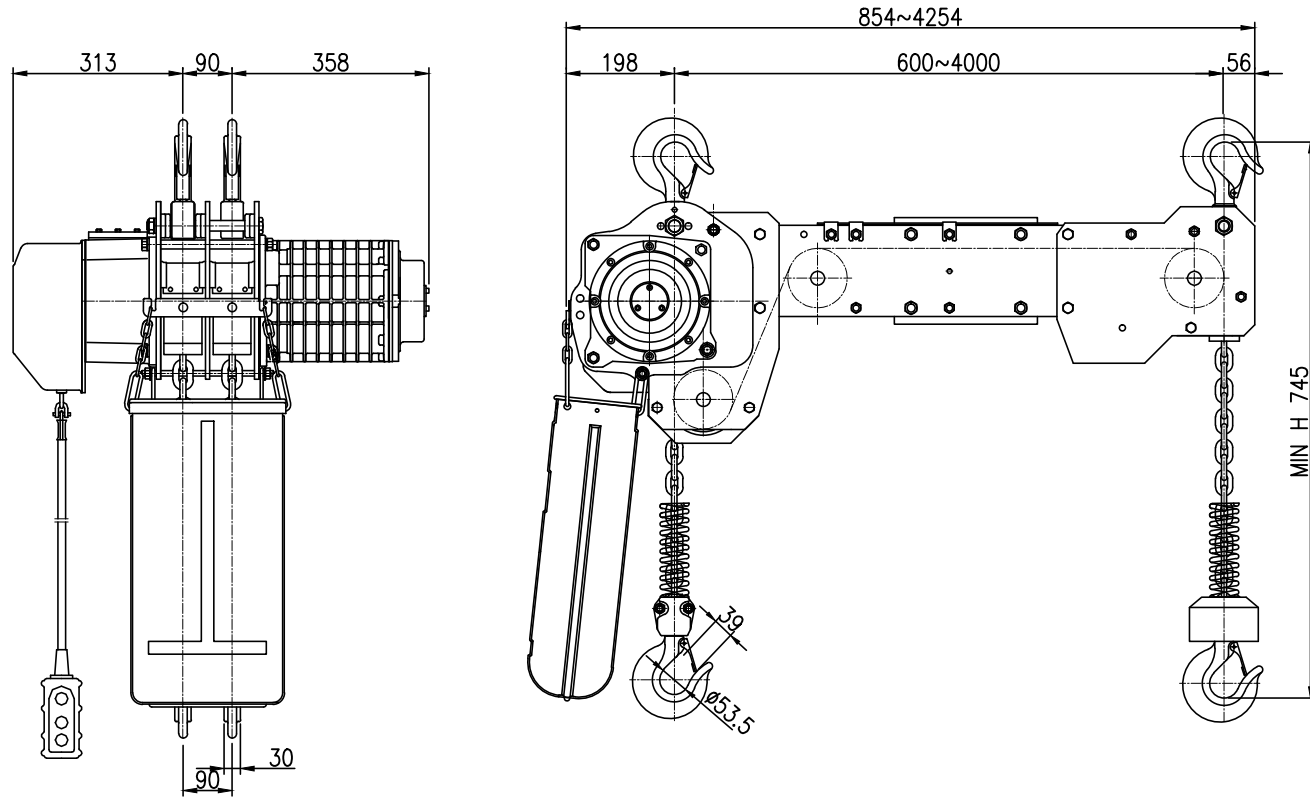


| NO | DESCRIPTION | MAT'L | Q'TY | WT(kg) | REMARKS |
|----|-------------|-------|------|--------|---------|
|    |             |       |      |        |         |



| SPECIFICATION    |                                    |                    |
|------------------|------------------------------------|--------------------|
| HOISTING LOAD    | 1.5                                | TON                |
| TESTING LOAD     | 1.875                              | TON                |
| LIFTING HEIGHT   | 4                                  | M                  |
| HOISTING         | SPEED                              | 8.6/10.3 M/MIN     |
|                  | MOTOR                              | 3.5 KW x 4P x1 SET |
| POWER SUPPLY     | AC 220,380,440,480 x 3ø x 50/60 Hz |                    |
| OPERATING METHOD | P.B type ON . FL                   |                    |

| REV. NO | DATE | REVISION DESCRIPTION | DRAWN | CHECKED | APPROVED |
|---------|------|----------------------|-------|---------|----------|
|         |      |                      |       |         |          |

| 도면에 지시되지 않은 일반공차 |    |      |      |        |         |          |
|------------------|----|------|------|--------|---------|----------|
| 가공법              | 치수 | 3-6  | 6-30 | 30-120 | 120-315 | 315-1000 |
| 선                | 삭  | ±0.1 | ±0.2 | ±0.3   | ±0.5    | ±0.8     |
| 구멍간              | 거리 | ±0.1 | ±0.2 | ±0.3   | ±0.5    | ±0.8     |

| TITLE DSDHA-1.5S CHAIN HOIST |           |            |            | PROJECTION |      |
|------------------------------|-----------|------------|------------|------------|------|
| WORK NO                      | WORK NAME |            |            | SCALE      | Q'TY |
|                              |           |            |            | 1/1        | 1    |
| DRAWN                        | CHECKED   | REVIEWED   | APPROVED   | DRAWING NO |      |
| H.J                          | -         | LEE        | Y. K       | DSDHA015S1 |      |
| 2020.09.15                   | -         | 2020.09.15 | 2020.09.15 |            |      |

**DAESAN INoTEC INC**