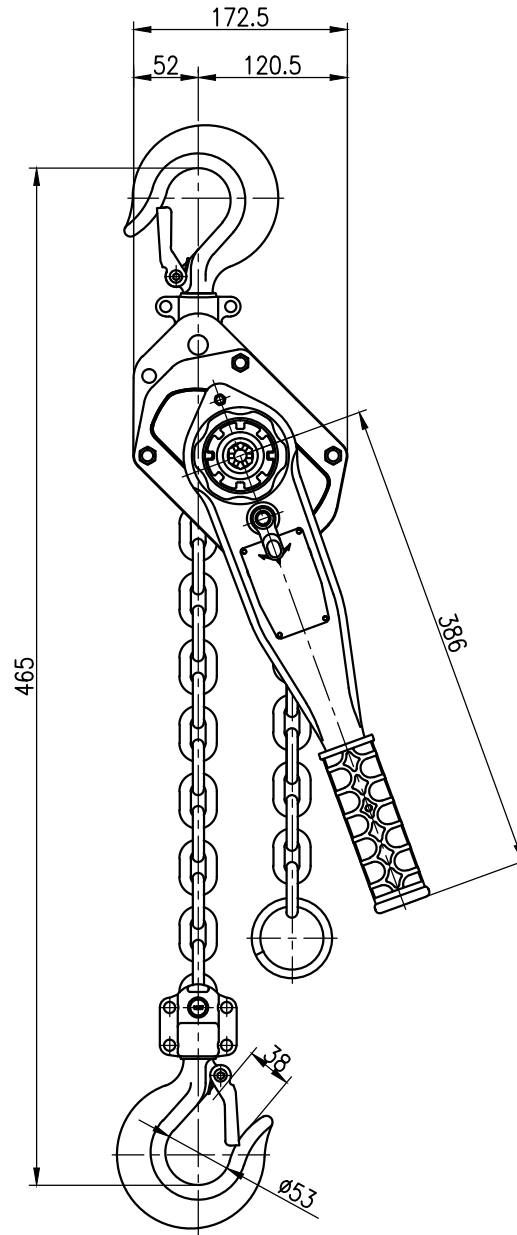
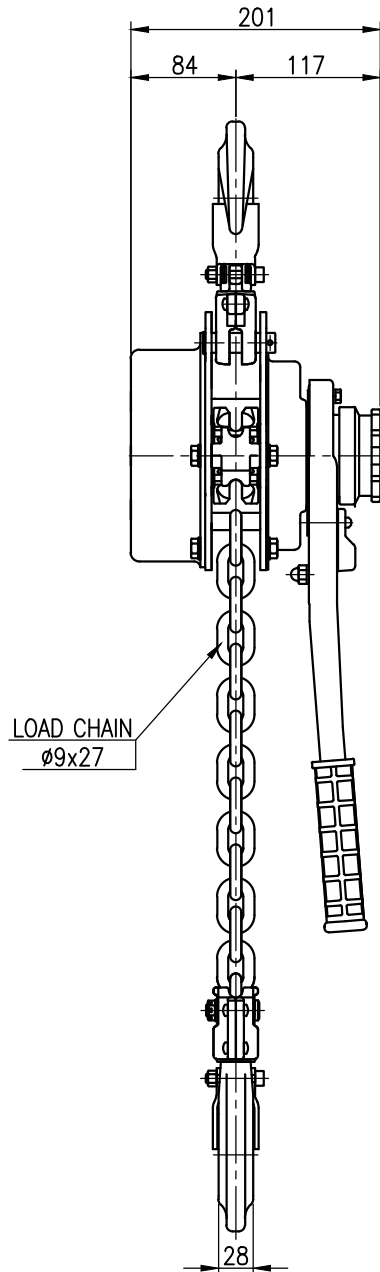


NO	DESCRIPTION	MAT'L	Q'TY	WT(kg)	REMARKS



SPECIFICATION	
HOISTING LOAD	3.0 TON
TESTING LOAD	3.75 TON
LIFTING HEIGHT	1.5 M
HOISTING	MANUAL
WEIGHT	16.5 kg
LOAD CHAIN	ø9X27

TITLE				PROJECTION	
NDM-3TON LEVER BLOCK					
WORK NO		WORK NAME		SCALE	Q'TY
				1/2	1
DRAWN	CHECKED	REVIEWED	APPROVED	DRAWING NO	
KIM.S.H		LEE. H.J	Y.K	NDS030001	
2016.03.29		2016.03.29	2016.03.29		
DAESAN INoTEC INC					

REV.NO	DATE	REVISION DESCRIPTION	DRAWN	CHECKED	APPROVED