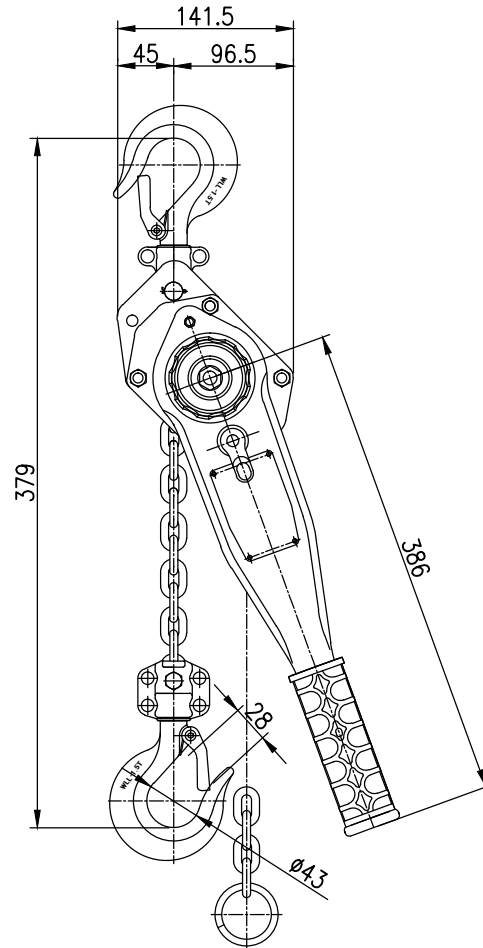
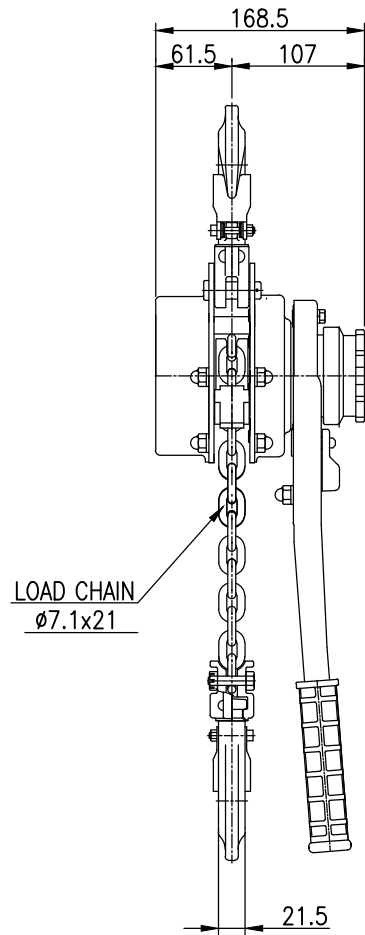


NO	DESCRIPTION	MAT'L	Q'TY	WT(kg)	REMARKS



SPECIFICATION	
HOISTING LOAD	1.5 TON
TESTING LOAD	2.25 TON
LIFTING HEIGHT	1.5 M
HOISTING	MANUAL
WEIGHT	9.5 kg
LOAD CHAIN	ø7.1x21

TITLE				PROJECTION	
NDM-1.5TON LEVER BLOCK					
WORK NO		WORK NAME		SCALE	Q'TY
				1/2	1
DRAWN	CHECKED	REVIEWED	APPROVED	DRAWING NO	
YOO.M.R		LEE. H.J	Y.K	NDS015001	
2016.02.02		2016.02.02	2016.02.02		
DAESAN INoTEC INC					

REV.NO	DATE	REVISION DESCRIPTION	DRAWN	CHECKED	APPROVED