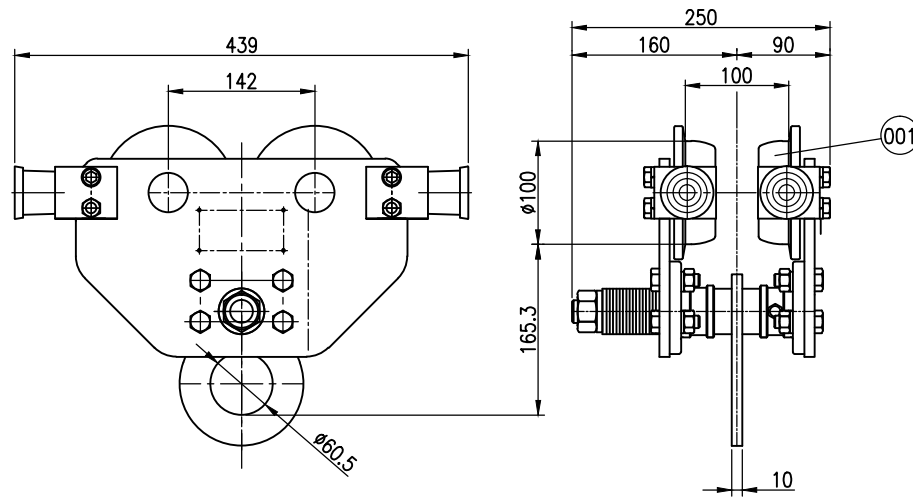


NO	DESCRIPTION	MAT'L	Q'TY	WT(kg)	REMARKS
001	PLAIN ROLLER	HBsC4	4		



SPECIFICATION	
HOISTING LOAD	2 TON
TESTING LOAD	2.5 TON
TRAVERSING	MANUAL
WEIGHT	25 kg
I-BEAM SIZE	100-150

* I-BEAM 폭 100MM 기준 도면임.

REV.NO	DATE	REVISION DESCRIPTION	DRAWN	CHECKED	APPROVED

TITLE EX DP-2T PLAIN TROLLEY				PROJECTION	
WORK NO		WORK NAME			
				SCALE	Q'TY
				1/2	1
DRAWN	CHECKED	REVIEWED	APPROVED	DRAWING NO	
YOO.M.R		LEE. H.J	Y.K	EXDP02001	
2015.04.13		2015.04.13	2015.04.13		
DAESAN INoTEC INC					