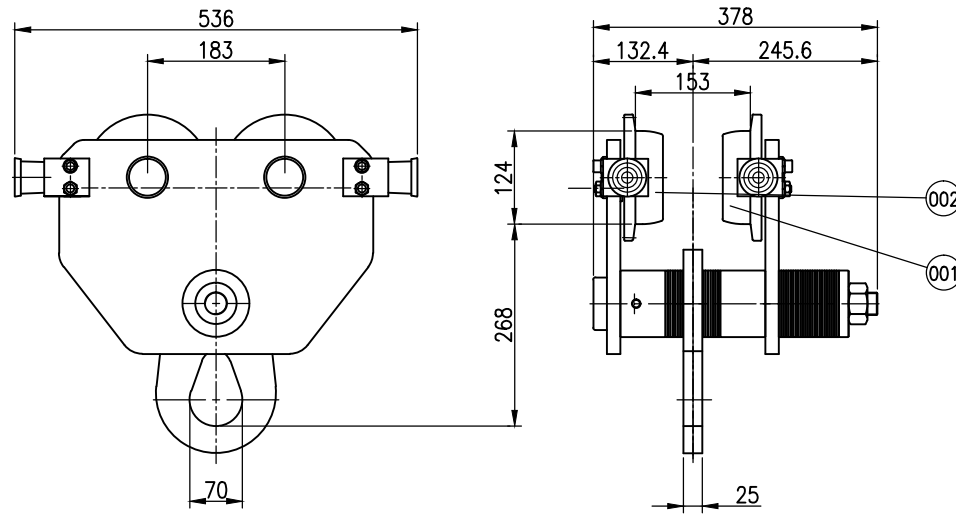


NO	DESCRIPTION	MAT'L	Q'TY	WT(kg)	REMARKS
001	PLAIN ROLLER	HBsC4	4		



SPECIFICATION	
HOISTING LOAD	10 TON
TESTING LOAD	12.5 TON
TRAVERSING	MANUAL
WEIGHT	69 kg
I-BEAM SIZE	150-200

\* 본 도면은 I-BEAM 150MM 기준 치수임

REV.NO	DATE	REVISION DESCRIPTION	DRAWN	CHECKED	APPROVED

TITLE EX DP-10T PLAIN TROLLEY				PROJECTION	
WORK NO		WORK NAME			
SCALE				Q'TY	
1/3				1	
DRAWN	CHECKED	REVIEWED	APPROVED	DRAWING NO	
H.J		LEE	Y. K	EXDP10T01	
18.07.06		18.07.06	18.07.06		

**DAESAN INoTEC INC**