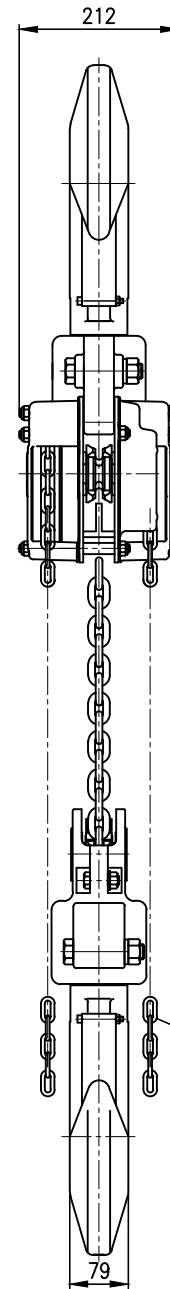
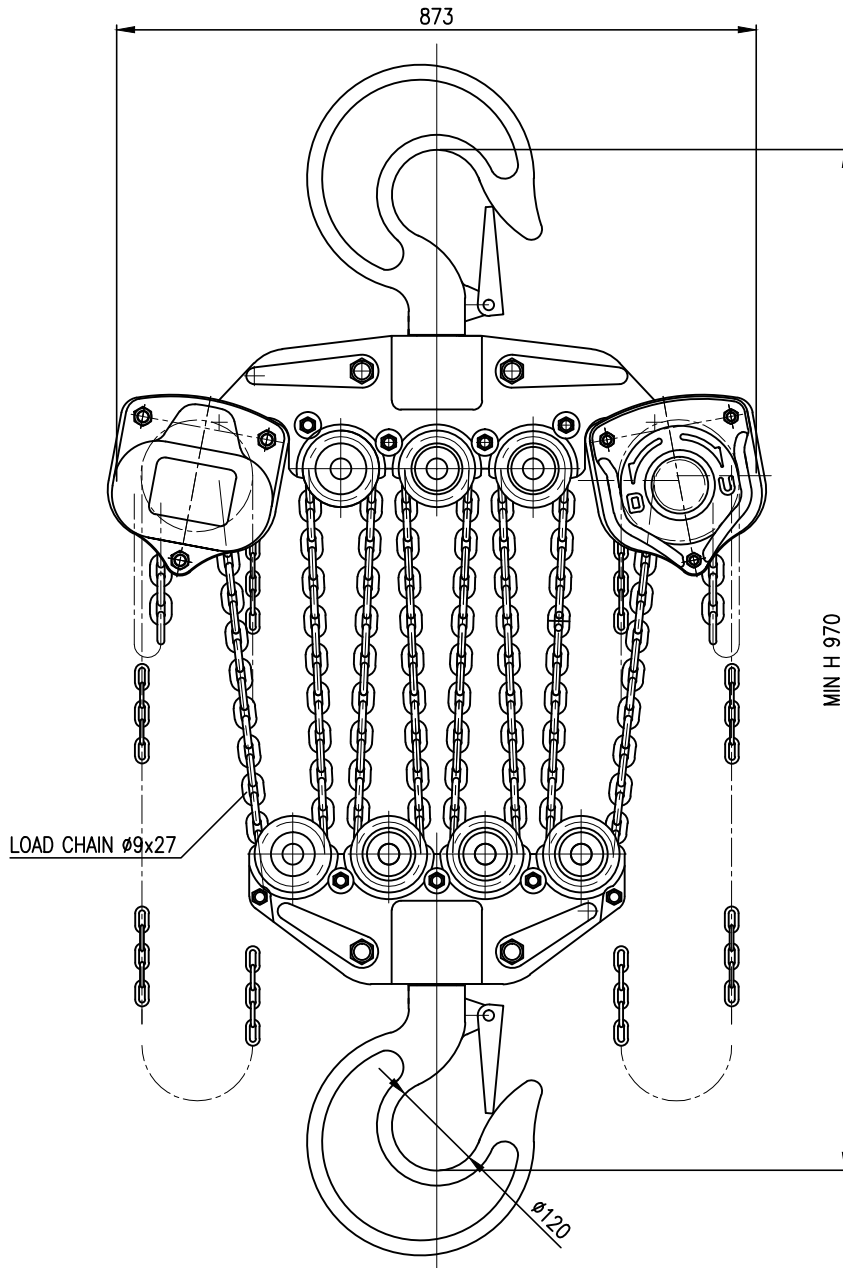


NO	DESCRIPTION	MAT'L	Q'TY	WT(kg)	REMARKS



SPECIFICATION	
HOISTING LOAD	20 TON
TESTING LOAD	25 TON
LIFTING HEIGHT	3.5 M
HOISTING	MANUAL
WEIGHT	200 kg
LOAD CHAIN	$\phi 9 \times 27$
HAND CHAIN	$\phi 5 \times 22.8$

LOAD CHAIN 1대 면적 : 0.00267m<sup>2</sup>

TITLE DSN-20TON CHAIN BLOCK				PROJECTION	
WORK NO		WORK NAME			
				SCALE	Q'TY
				1/4	1
DRAWN	CHECKED	REVIEWED	APPROVED	DRAWING NO	
YOO.M.R	-	LEE. H.J	Y. K	DSN20001	
2012.12.11	-	2012.12.11	2012.12.11		

REV.NO	DATE	REVISION DESCRIPTION	DRAWN	CHECKED	APPROVED

**DAESAN INoTEC INC**