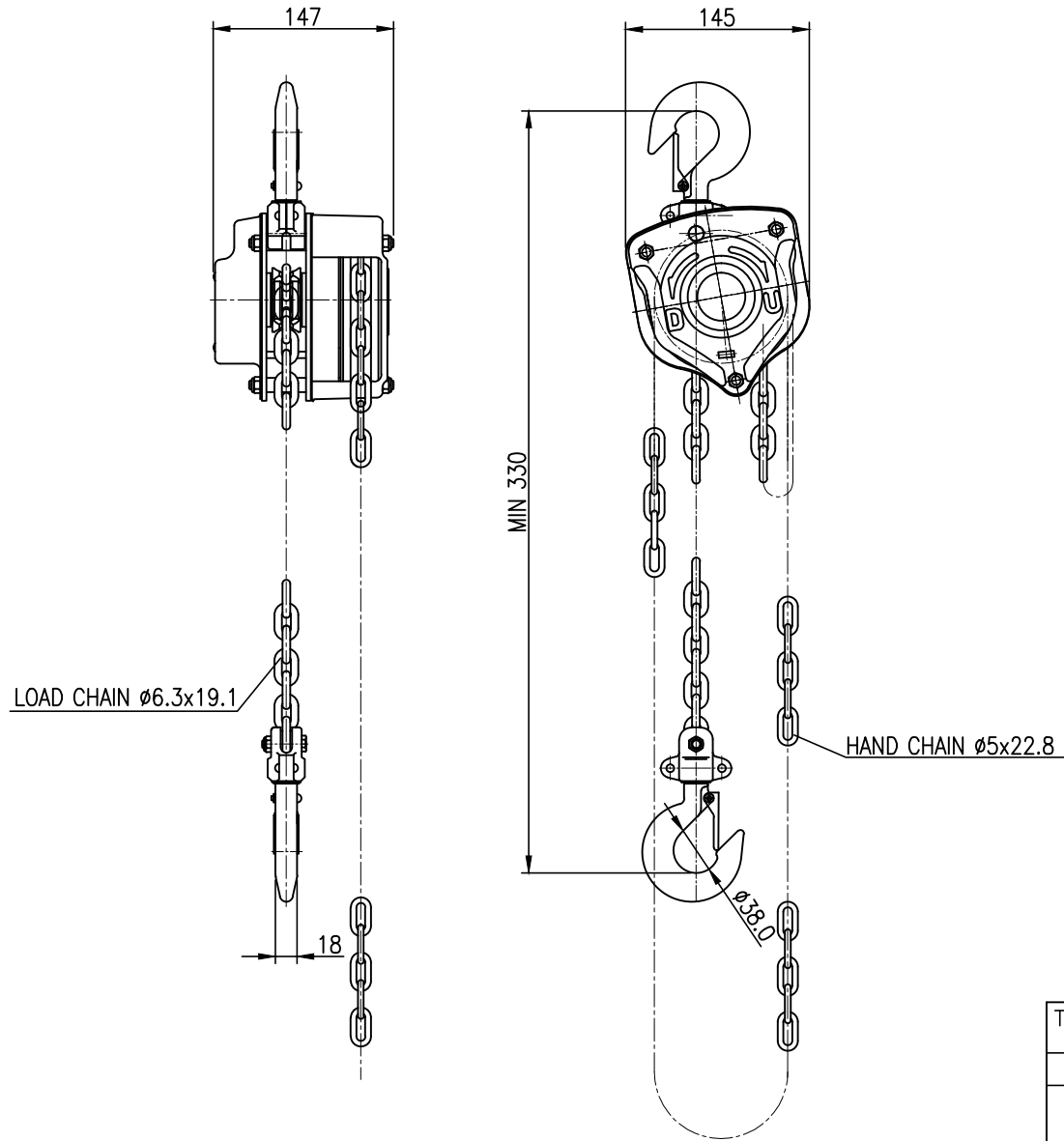


NO	DESCRIPTION	MAT'L	Q'TY	WT(kg)	REMARKS



SPECIFICATION	
HOISTING LOAD	1 TON
TESTING LOAD	1.25 TON
LIFTING HEIGHT	2.5 M
HOISTING	MANUAL
WEIGHT	12 kg
LOAD CHAIN	ø6.3x19.1

TITLE				PROJECTION	
DSN-1TON CHAIN BLOCK					
WORK NO	WORK NAME			SCALE	Q'TY
				1/2	1
DRAWN	CHECKED	REVIEWED	APPROVED	DRAWING NO	
YOO.M.R		LEE. H.J	Y.K	DSN01001	
2012.05.30		2012.06.08	2012.06.08		

REV.NO	DATE	REVISION DESCRIPTION	DRAWN	CHECKED	APPROVED

DAESAN INoTEC INC