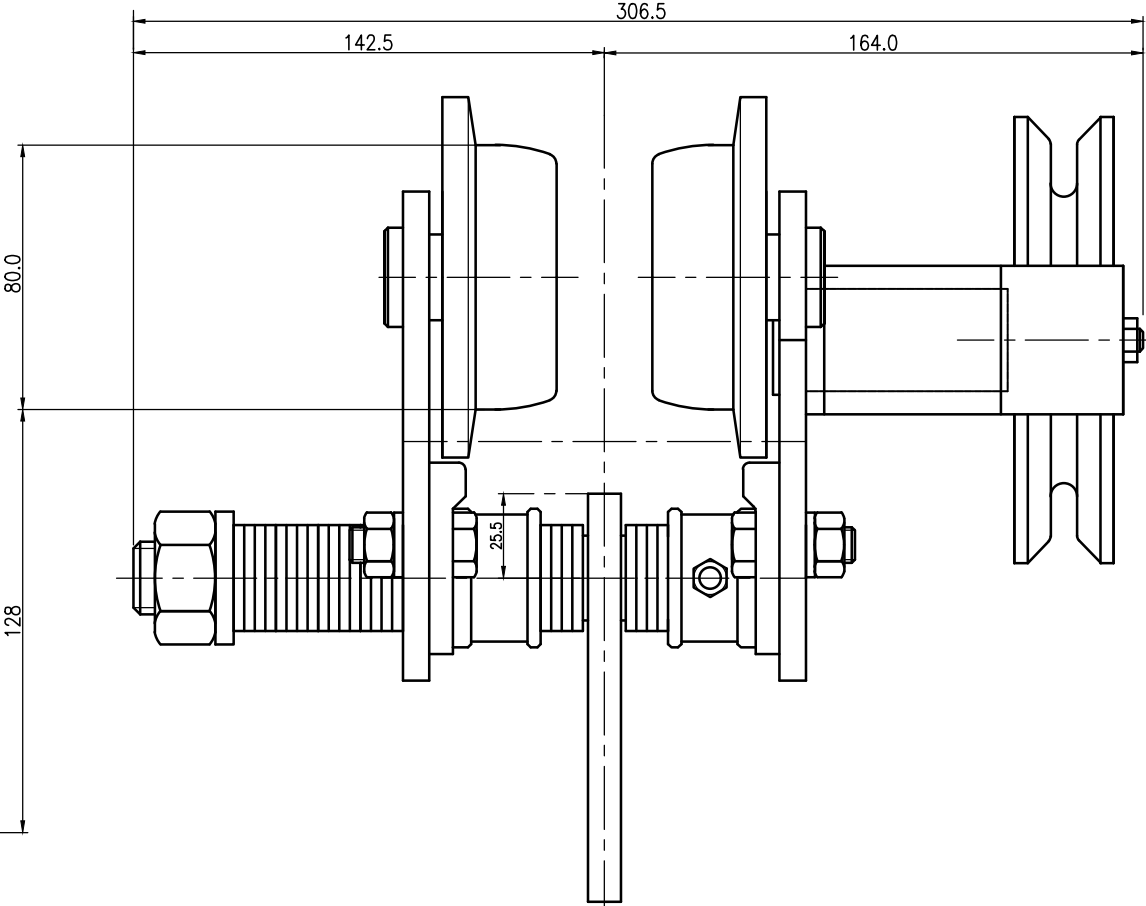
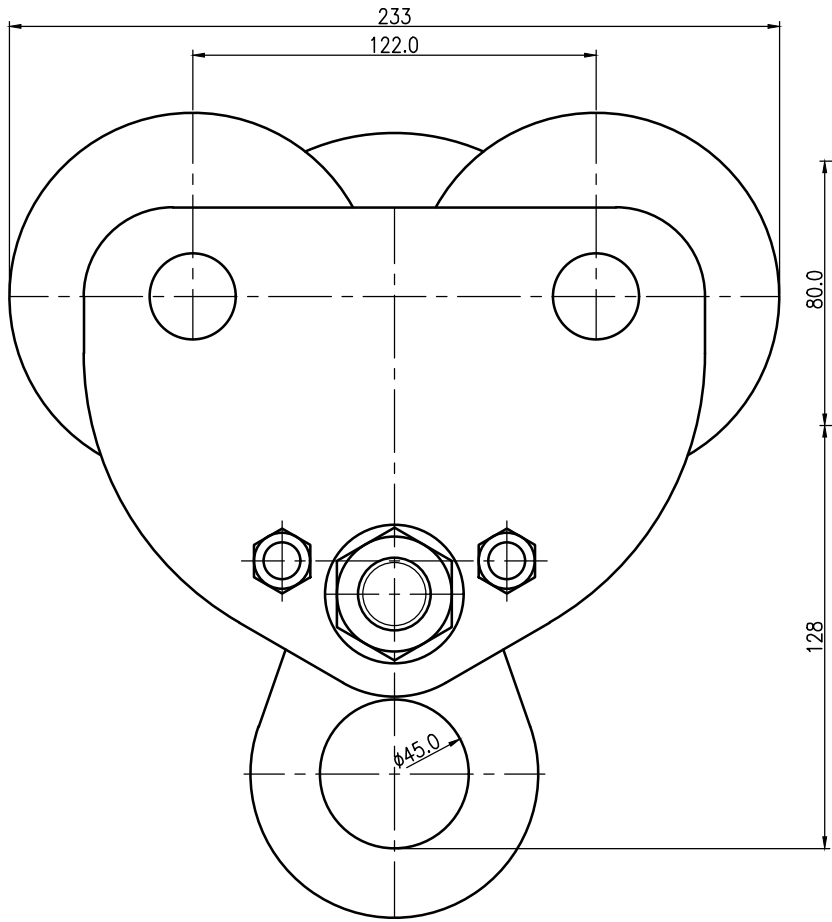


NO	DESCRIPTION	MAT'L	Q'TY	WT(kg)	REMARKS



TITLE				1TON GEAR TROLLEY		PROJECTION	
WORK NO				WORK NAME			
DRAWN				CHECKED	REVIEWED	APPROVED	DRAWING NO
YOO.M.R				-	LEE. H.J	Y. K	DSPG010001
2012.06.25				-	2012.06.21	2012.09.04	
SCALE				Q'TY			
1/1				1			
DAESAN INoTEC INC							

순번	1/5	2/6	3/7	4/8	
도면에 지시되지 않은 일반공차					
가공별 치수	3-6	6-30	30-120	120-315	315-1000
구멍간 거리	±0.1	±0.2	±0.3	±0.5	±0.8

REV.NO	DATE	REVISION DESCRIPTION	DRAWN	CHECKED	APPROVED