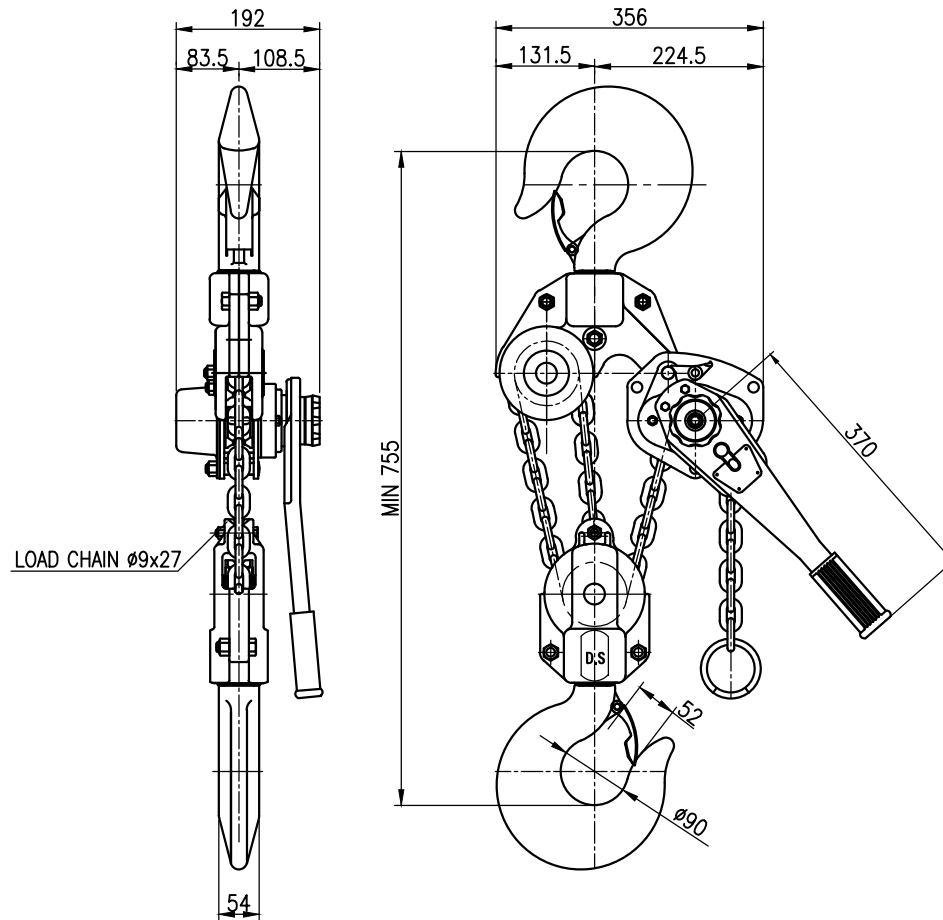


NO	DESCRIPTION	MAT'L	Q'TY	WT(kg)	REMARKS



SPECIFICATION	
HOISTING LOAD	9 TON
TESTING LOAD	13.5 TON
LIFTING HEIGHT	1.5 M
HOISTING	MANUAL
WEIGHT	56 kg
LOAD CHAIN	Ø9x27
PULLING LOAD	37 KG

TITLE D1-9TON CHAIN BLOCK				PROJECTION	
WORK NO		WORK NAME			
				SCALE	Q'TY
				1/3	1
DRAWN	CHECKED	REVIEWED	APPROVED	DRAWING NO	
YOO.M.R		LEE. H.J	Y. K	DSD1N9002	
2016.01.28		2016.01.28	2016.01.28		
DAESAN INoTEC INC					

REV.NO	DATE	REVISION DESCRIPTION	DRAWN	CHECKED	APPROVED